



Creative human Machine interface Solution Manufacturer

PANELMATE
Creative HMI Solution

PANELMATE

Creative HMI Solution

Shanghai Panelmate Electronics Co., Ltd. is a technology-based enterprise in China that specializes in providing customized CNC control panels, Hand-held Pendant Station(HPS) , industrial keyboards , industrial touchscreen monitor, industrial panel PCs, industrial PC, integrated cabinet with support arm system and automation control system . The products are widely used in printing and packaging industry, textile machinery, testing equipment , engineering machinery, high-speed rail, mint machinery, tobacco machinery, advanced CNC machine, industry 4.0 and other related fields. Panelmate is committed to providing key parts selection , circuit design, appearance design, sales and after-sales package solutions according to customer requirements.

Panelmate has professional software and hardware development capabilities. The control panel can support EtherCAT, Modbus-TCP, CANBUS, PROFINET, Modbus-TCP, ADS and other bus protocols. HPS can provide wireless and wired products with digital and analog value. In addition to the standard functions, the industrial display, touch screen monitor can also support CE systems based on X86 or ARM framework. The whole series of industrial panel PC adopts module design . The main module range from low-power ATOM processors to high-performance 13th Gen. series. The standard products include 2 x Intel Gigabit LAN, 6 x RS232 serial ports , with rich interfaces and easy to use.

The full range of Panelmate products supports can be customized according to customers need!

Contents

Industrial Monitor

Page01

Industrial Monitor

(With KVM Extender/IDD-LINK4)

Page03

Industrial ATEX Monitor

Page05

Industrial Stainless Steel Monitor

Page07

Economic Industrial Arm-Mounted Operation Panel

Page09

Industrial Arm-Mounted Operation Panel

Page11

Industrial Dual screenArm-Mounted Operation Panel

Page13

Industrial Arm-mounted Stainless Steel Monitor

Page15

Industrial Arm-mounted Stainless Steel Monitor

(With KVM Extender/IDD-LINK4)

Page17

Teach Pendant

Page19

Industrial Panel PC

Page21

D Series Industrial Panel PC

Page23

Industrial ATEX Panel PC

Page25

Economical IndustrialPanel PC

Page27

Raspberry Pi Panel PC

Page29

ARM Industrial Panel PC

Page31

Industrial Arm-Mounted Operation Panel PC

Page33

PC60XX miniBOX Fanless Box PC

Page35

iBOX22XX Fanless Box PC

Page37

PC6970 Series Wall-mounted Box PC

Page39

PC6920 Series Fanless Wall-mounted Box PC

Page41

IDD-LINK4 KVM Extender

Page42

PC6005 Programmable Logic Controller

Page43

UPS6910C-24 Economic UPS Power Supply

Page44

UPS6920C-24 UPS Power Supply

Page45

Hand-held Pendant Station(HPS)

Page47

Panel21XXX CNC Control Panel

Page49

IKB21XXX Industrial Keyboard

Page51

Panel6000 Integrated Control Panel

Page53

iCAB Integrated Cabinet

Page55

Arm components: 4460 series

Page57

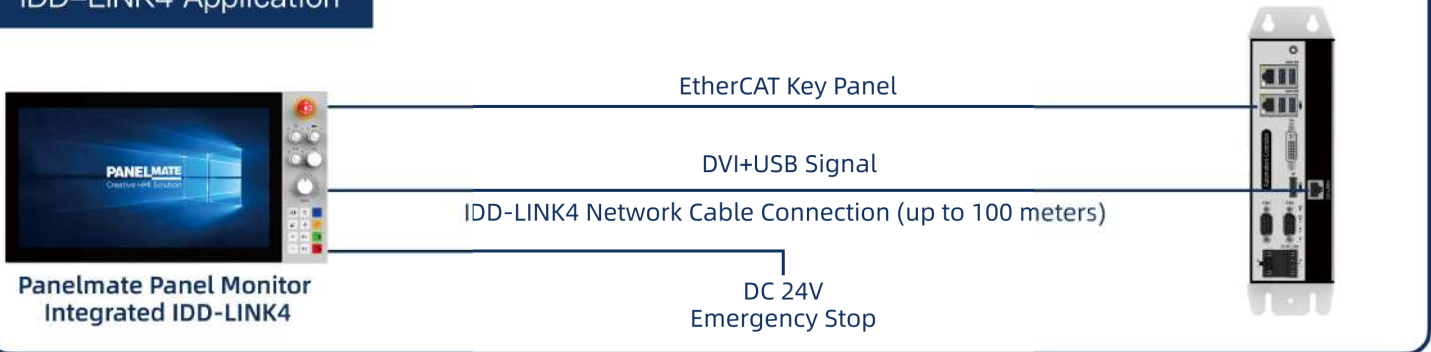
Arm components: Stainless steel 48 series

Page58

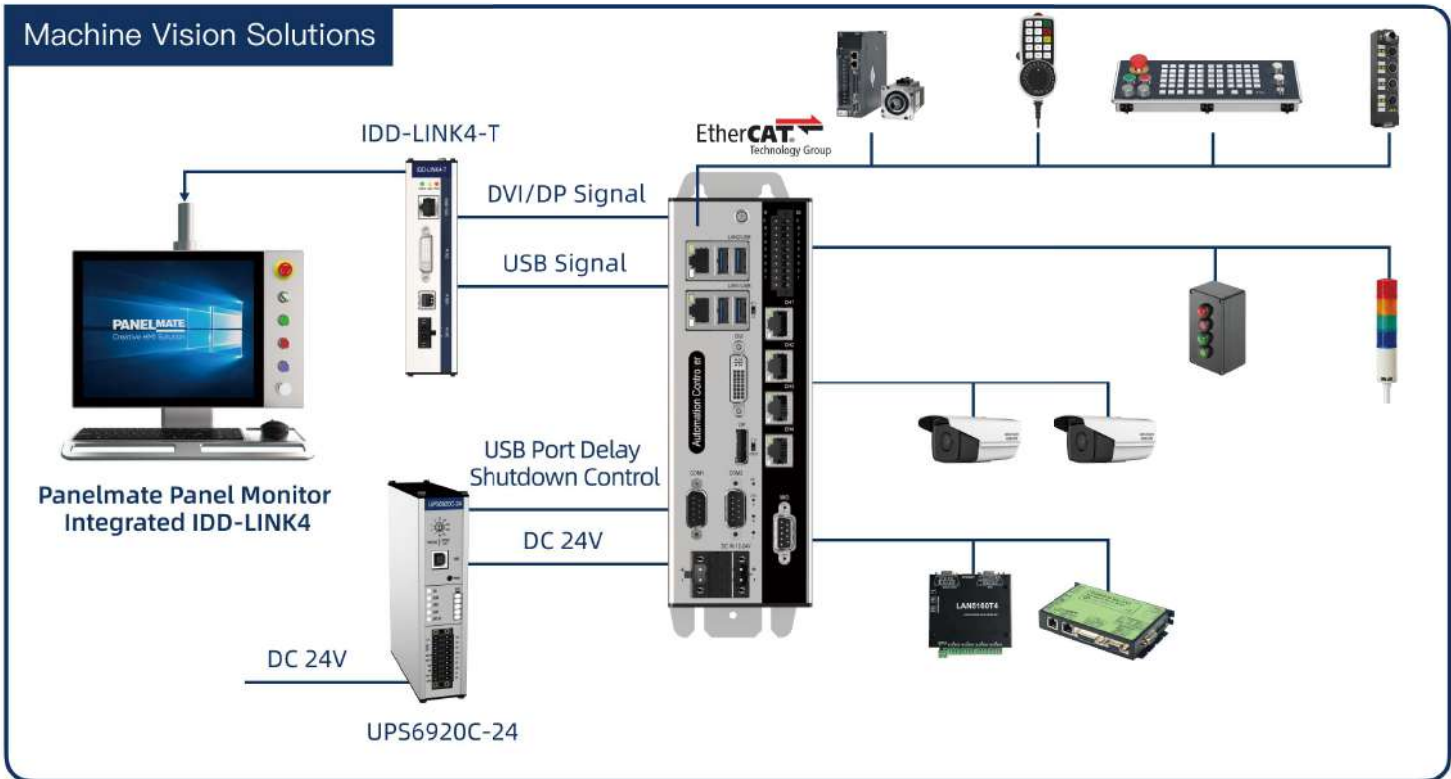
Arm components: 6085 series

Page59

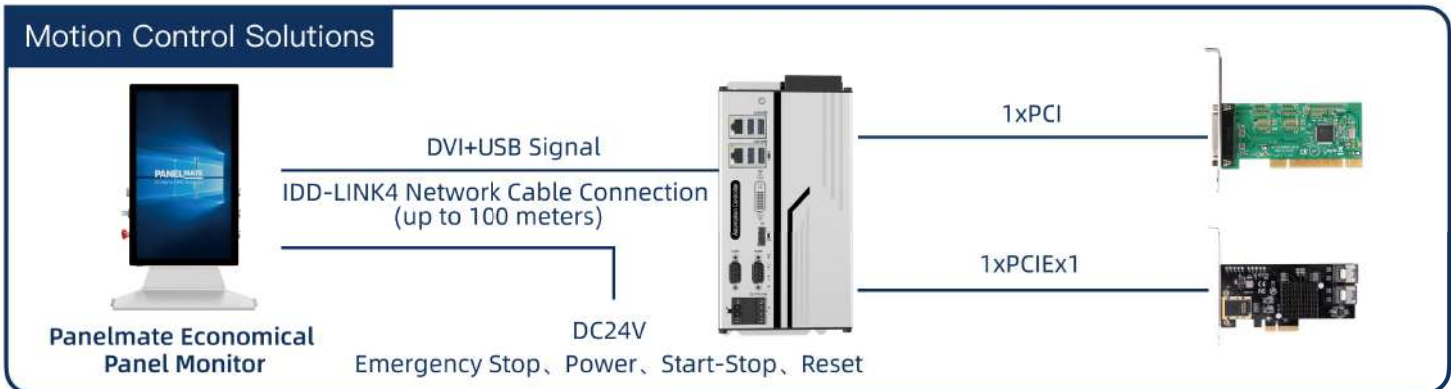
IDD-LINK4 Application



Machine Vision Solutions

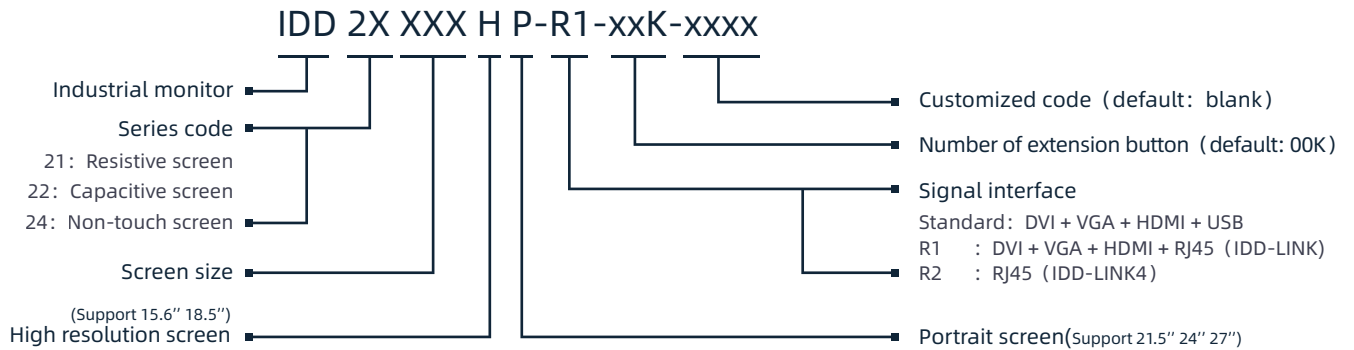


Motion Control Solutions





IDD2XXXX | Industrial Monitor



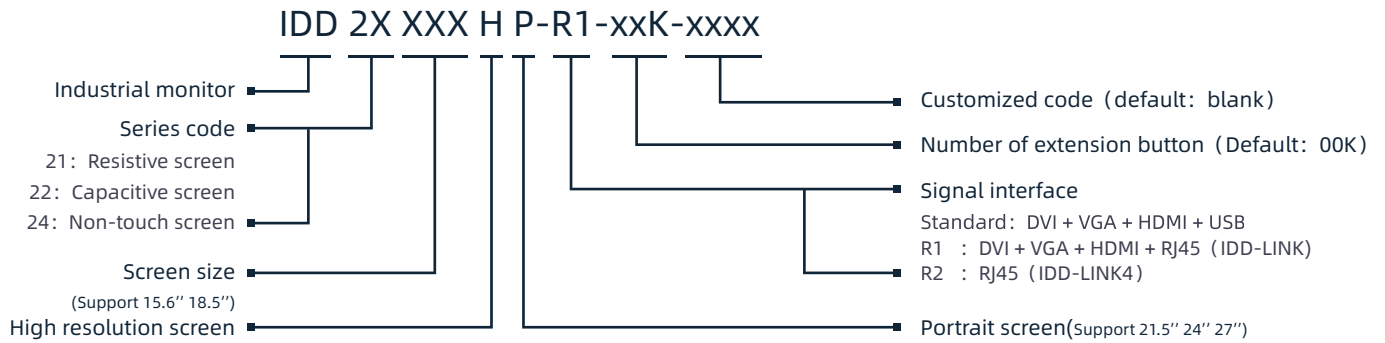
- Screen size: 10.1", 10.4", 11.6", 12.1", 12.2", 15", 15.6", 17", 17.3", 18.5", 19", 21.5", 24", 27"
- Front panel/back cover: Aluminium-magnesium alloy
- Front panel/Rear: IP65 / IP20
- Touchscreen mode: Single point resistive touchscreen, Multi-touch capacitive screen, Non-touch screen
- OS: Win7, Win8, Win10, Win11, Linux, etc
- Interface: DVI, HDMI, VGA video interface, 2xUSB
- Power supply: DC 12~36V
- Optional R1(IDD-LINK),Long distance USB signal output, support 50m
- Optional R2(IDD-LINK4),Video and USB are transmitted via a single CAT6 network cable, Transmission distance up to 100m



Model	IDD2X101	IDD2X104	IDD2X116	IDD2X121	IDD2X122	IDD2X150	IDD2X156	IDD2X156H
Screen Size	10.1"	10.4"	11.6"	12.1"	12.2"	15"	15.6"	15.6"
Resolution	1280x800	1024x768	1920 x 1080	1024x768	1280x800	1024x768	1366x768	1920x1080
Open Size (WxH/mm)	248.5 x 185	253 x 217	299 x 203	295 x 248	297.5 x 216	342 x 285	385 x 253	385 x 253
Size(WxHxD/mm)	256.5 x 193 x 54	264 x 227.5 x 57.5	310 x 214 x 55.5	306 x 259 x 57.5	308.3x226.8x57.5	353 x 296 x 57.5	396 x 263 x 62.5	396 x 263 x 62.5
Proportion	16:10	4:3	16:9	4:3	16:10	4:3	16:9	16:9
Contrast Ratio	800:1	900:1	1000:1	800:1	1000:1	800:1	3000:1	3000:1
Luminance(cd/m ²)	400	350	250	350	450	350	300	250
Power(w)	5	5	5	9	9	11	18	8
Work Temperature(°C)	-20~70	-20~70	0~50	-20~70	-20~70	-10~65	0~60	0~50
Storage Temperature(°C)	-30~70	-30~80	-20~60	-30~80	-30~80	-20~70	-20~60	-20~60
Model	IDD2X170	IDD2X173	IDD2X185	IDD2X185H	IDD2X190	IDD2X215	IDD2X240	IDD2X270
Screen Size	17"	17.3"	18.5"	18.5"	19"	21.5"	24"	27"
Resolution	1280x1024	1920 x 1080	1366x768	1920x1080	1280x1024	1920x1080	1920x1080	1920x1080
Open Size (WxH/mm)	376 x 329	431 x 285	452 x 292	452 x 292	412 x 358	519 x 311	567 x 334	380.5 x 641.5
Size(WxHxD/mm)	387 x 340 x 57.5	440 x 294 x 60	463 x 303 x 57.5	463 x 303 x 57.5	423 x 372 x 57.5	530.5 x 322.5 x 58	581.4 x 348.6 x 60	395.5x656.5x59.8
Proportion	5:4	16:9	16:9	16:9	5:4	16:9	0.672916667	16:9
Contrast Ratio	1000:1	600:1	1000:1	1000:1	1000:1	3000:1	3000:1	3000:1
Luminance(cd/m ²)	250	400	500	350	250	250	250	250
Power(w)	12	14	16	15	14	20	22	36
Work Temperature(°C)	0~50	0~70	0~50	-20~80	0~50	0~50	0~50	0~50
Storage Temperature(°C)	-20~60	-20~70	-20~60	-30~80	-20~60	-20~60	-20~60	-20~60



IDD2XXXX-R2 | Industrial Monitor (with KVM extender /IDD-LINK4)



- Screen size: 10.1", 10.4", 11.6", 12.1", 12.2", 15", 15.6", 17", 17.3", 18.5", 19", 21.5", 24", 27"
- Front panel/back cover: Aluminium-magnesium alloy
- Front panel/Rear: IP65 / IP20
- Touchscreen mode: Single point resistive touchscreen, Multi-touch capacitive screen, Non-touch screen
- OS: Win7, Win8, Win10, Win11, Linux, etc
- Video and touch signals can use the IDD-LINK4 interface at the same time, or use HDMI and USB signal alone
(Both can not be used at the same time)
- Power supply: DC 24V
- Optional R1(IDD-LINK),Long distance USB signal output, support 50m
- Optional R2(IDD-LINK4),Video and USB are transmitted via a single CAT6 network cable, transmission distance up to 100m

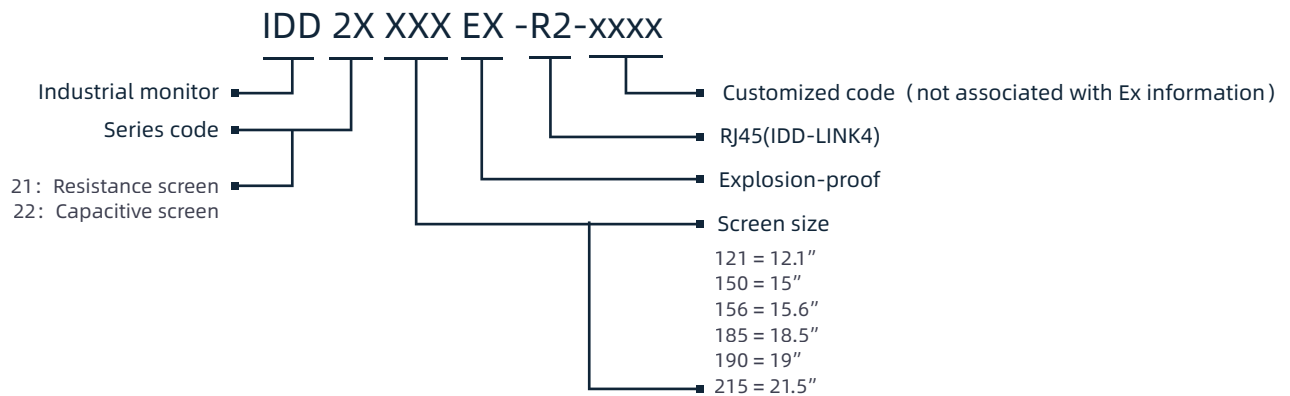


Model	IDD2X101-R2	IDD2X104-R2	IDD2X116-R2	IDD2X121-R2	IDD2X122-R2	IDD2X150-R2	IDD2X156-R2	IDD2X156H-R2
Screen Size	10.1"	10.4"	11.6"	12.1"	12.2"	15"	15.6"	15.6"
Resolution	1280x800	1024x768	1920 x 1080	1024x768	1280x800	1024x768	1366x768	1920x1080
Open Size (WxH/mm)	248.5 x 185	253 x 217	299 x 203	295 x 248	297.5 x 216	342 x 285	385 x 253	385 x 253
Size(WxHxD/mm)	256.5 x 193 x 54	264 x 221.6 x 57.5	310 x 214 x 55.5	306 x 259 x 57.5	308.3x226.8x57.5	353 x 296 x 57.5	396 x 263 x 62.5	396 x 263 x 62.5
Proportion	16:10	4:3	16:9	4:3	16:10	4:3	16:9	16:9
Contrast Ratio	800:1	900:1	1000:1	800:1	1000:1	800:1	3000:1	3000:1
Luminance(cd/m ²)	400	350	250	350	450	350	250	250
Power(w)	15	15	5	19	19	21	28	8
Work Temperature(°C)	-20~70	-20~70	0~50	-20~70	-20~70	-10~65	0~60	0~50
Storage Temperature(°C)	-30~80	-30~80	-20~60	-30~80	-30~80	-20~70	-20~60	-20~60
Model	IDD2X170-R2	IDD2X173-R2	IDD2X185-R2	IDD2X185-R2	IDD2X190-R2	IDD2X215-R2	IDD2X240-R2	IDD2X270-R2
Screen Size	17"	17.3"	18.5"	18.5"	19"	21.5"	24"	27"
Resolution	1280x1024	1920 x 1080	1366x768	1920x1080	1280x1024	1920x1080	1920x1080	1920x1080
Open Size (WxH/mm)	376 x 329	431 x 285	452 x 292	452 x 292	412 x 358	519 x 311	567 x 334	380.5 x 641.5
Size(WxHxD/mm)	387 x 340 x 57.5	440 x 294 x 60	463 x 303 x 57.5	463 x 303 x 57.5	428 x 372 x 57.5	530.5 x 322.5 x 58	581.4 x 348.6 x 60	395.5x656.5x59.8
Proportion	5:4	16:9	16:9	16:9	5:4	16:9	0.672916667	16:9
Contrast Ratio	1000:1	600:1	1000:1	1000:1	1000:1	3000:1	3000:1	3000:1
Luminance(cd/m ²)	250	400	250	250	250	250	250	250
Power(w)	22	14	26	25	24	30	22	46
Work Temperature(°C)	0~50	0~70	0~50	-20~80	0~50	0~50	0~50	0~50
Storage Temperature(°C)	-20~60	-20~70	-20~60	-30~80	-20~60	-20~60	-20~60	-20~60



Our Explosion-Proof Products Have Passed ATEX EU Explosion-Proof Certification

IDD22XXXEX-R2 | Industrial ATEX HMI Panel (with KVM extender /IDD-LINK4)



- Qualify with ATEX Certificate
- Screen size: 12.1", 15", 15.6", 18.5", 19", 21.5"
- Front panel/back cover: Aluminium-magnesium alloy
- Front panel/Rear: IP65 / IP65
- Touchscreen mode: Multi-touch capacitive screen
- OS: Win7, Win8, Win10, Win11, Linux, etc
- Add IDD-LINK4 ports for video and touch signal
- Power supply: DC 24V

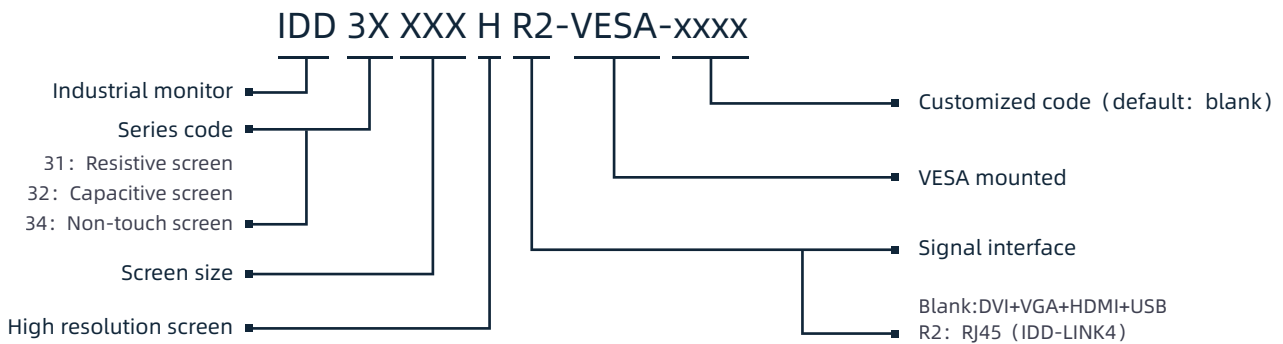


 Our Explosion-Proof Products Have Passed ATEX EU Explosion-Proof Certification

Model	IDD2X121EX-R2	IDD2X150EX-R2	IDD2X156EX-R2	IDD2X185EX-R2	IDD2X190EX-R2	IDD2X215EX-R2
Screen Size	12.1"	15"	15.6"	18.5"	19"	21.5"
Resolution	1024x768	1024x768	1366x768	1366x768	1280x1024	1920x1080
Open Size (WxH/mm)	315.7 x 248.8	360.6 x 285.7	403.6 x 262.3	465.8 x 290	429.6 x 354,7	531.1 x 327.7
Product Size(WxHxD/mm)	332.5 x 266.5 x 69	376.8 x 300.8 x 69	421.9 x 281.8 x 69	477.8 x 302 x 69	446.4 x 372.4 x 69	547,9 x 345.4 x 69
Proportion	4:3	4:3	16:9	16:9	5:4	16:9
Contrast Ratio	800:1	800:1	500:1	1000:1	1000:1	500:1
Luminance(cd/m ²)	350	350	300	500	250	300
Power(w)	19	21	28	26	24	34
Work Temperature(°C)	0~55					
Storage Temperature(°C)	-20~60					



IDD3XXXX | Industrial Stainless Steel Monitor



- Screen size: 15.6", 21.5"
- Front panel: 304 stainless steel
- Front panel/Rear: IP65 / IP20
- Touchscreen mode: Single point resistive touchscreen, Multi-touch capacitive screen, Non-touch screen
- OS: Win7, Win8, Win10, Win11, Linux, etc
- Video and touch signals can use the IDD-LINK4 interface(optional)
- Power supply: DC 24V
- Interface: DVI, HDMI, VGA, 2xUSB.



Model	IDD3X156	IDD3X156H	IDD3X215
Screen Size	15.6"	15.6"	21.5"
Proportion	16:9	16:9	16:9
Resolution	1366x768	1920X1080	1920X1080
Open Size(WxH/mm) (Exclusive of control panel)	397 x 263		532 x 337
Size(LxWxH/mm) (Exclusive of control panel)	420.4 x 283.4 x 57		554.9 x 360 x 57
Contrast Ratio	3000:1	3000:1	3000:1
Luminance(cd/m ²)	300	250	250
Power(w)	18W	8W	20W
Work Temperature(°C)	0~60	0~50	0~50
Storage Temperature(°C)	-20~60		-20~60

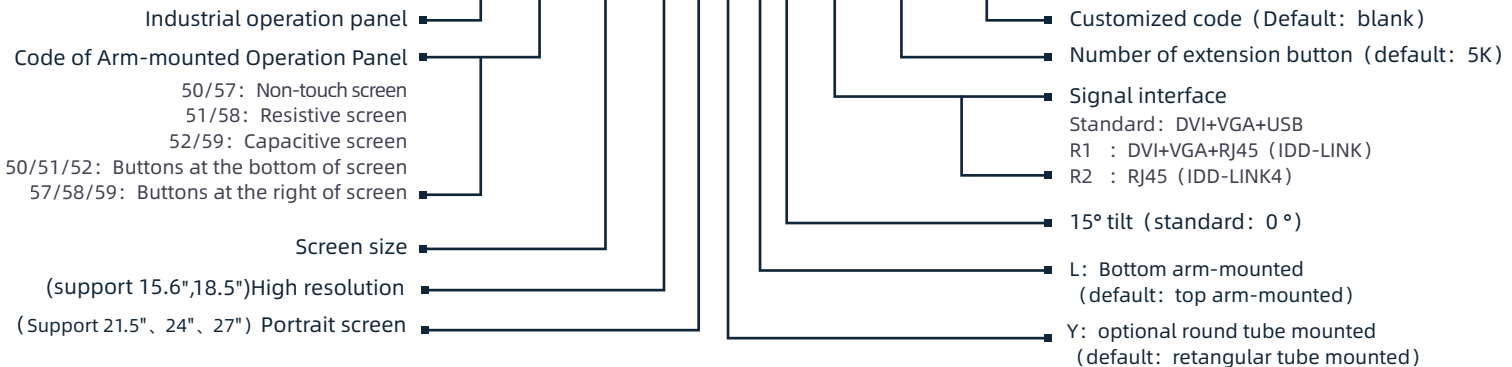


Model	IDD4X215L-5K	IDD4X215LP-5K (vertical screen)
Screen Size	21.5"	21.5"
Resolution	1920X1080	1920X1080
Mounting	4460 or 5065 arm support	4460 or 5065 arm support
No Keyboard Size(mm)	517.6 x 309.5 x 20	309.5 x 517.6 x 20
Contrast Ratio	3000:1	3000:1
Luminance(cd/m ²)	250	250
Power(w)	20	20
Work Temperature(°C)	0~50	0~50
Storage Temperature(°C)	-20~60	-20~60



IDD5XXXX | Industrial Arm-Mounted Operation Panel

IDD 5X XXX H P Y L X-R1-xxK-xxxx



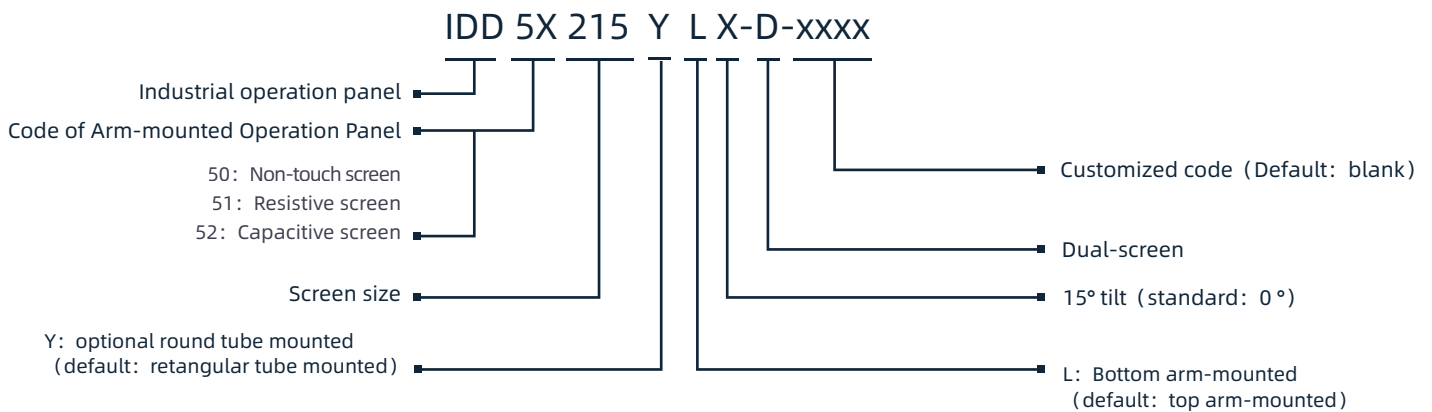
- Screen size: 15", 15.6", 18.5", 19", 21.5", 24", 27"
- Front panel/back cover: Aluminium-magnesium alloy
- Front panel/Rear: IP65 completely
- Touchscreen mode: Single point resistive touchscreen, Multi-touch capacitive screen, Non-touch screen
- OS: Win7, Win8, Win10, Win11, Linux, etc
- Interface: DVI, HDMI, VGA, 2xUSB
- Power supply: DC 12~36V
- Optional R1(IDD-LINK),Long distance USB signal output, support 50m
- Optional R2(IDD-LINK4),Video and USB are transmitted via a single CAT6 network cable, Transmission distance up to 100m
- Customized LOGO and button



Model	IDD5X150	IDD5X156	IDD5X185	IDD5X190	IDD5X215	IDD5X240	IDD5X270
Screen Size	15"	15.6"	18.5"	19"	21.5"	24"	27"
Resolution	1024×768	1366×768	1366×768	1280×1024	1920×1080	1920×1080	1080×1920
Mounting	4460,6085 or 48 arm support	4460,6085 or 48 arm support	4460,6085 or 48 arm support	4460,6085 or 48 arm support	4460,6085 or 48 arm support	4460,6085 or 48 arm support	4460,6085 or 48 arm support
No Keyboard Size(mm)	433.7 x 284.6 x 122.5	405.6 x 330.7 x 122.5	465.4 x 355.3 x 122.5	512.7 x 351.6 x 130	533.1 x 416.7 x 130	574.4 x 427.5 x 130	388.5 x 735.4 x 130
Contrast Ratio	1000:1	500:1	1000:1	1000:1	3000:1	3000:1	3000:1
Luminance(cd/㎡)	420	300	500	250	250	250	250
Power(w)	11	18	16	14	20	22	36
Work Temperature(°C)	-10~65	0~60	0~50	0~50	0~50	0~50	0~50
Storage Temperature(°C)	-20~70	-20~60	-20~60	-20~60	-20~60	-20~60	-20~60



IDD5X215-D | Industrial Arm-Mounted Operation Panel (Dual-screen)



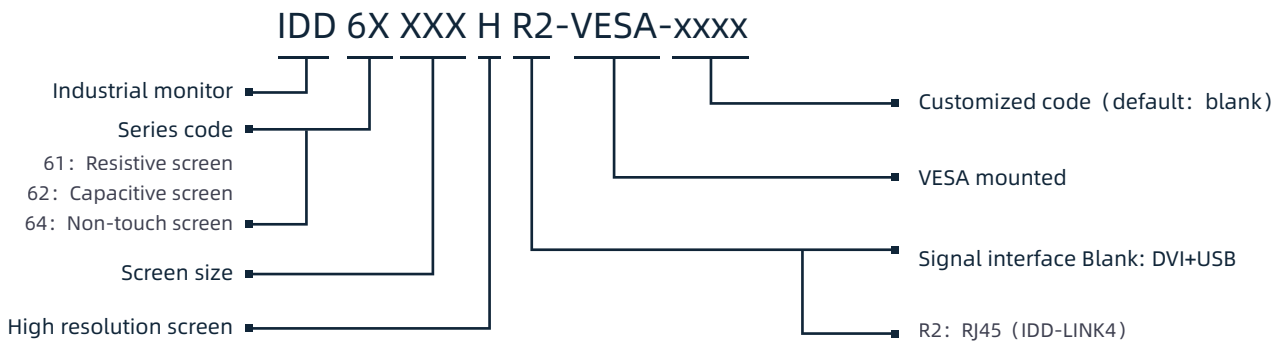
- 21.5" dual touchscreen, dual-effect display
- Front panel/back cover: Aluminium-magnesium alloy
- Front panel/Rear: IP65 completely
- Touchscreen mode: Single point resistive touchscreen, Multi-touch capacitive screen, Non-touch screen
- OS: Win7, Win8, Win10, Win11, Linux, etc
- Interface: DVI, HDMI, VGA, 2xUSB
- Power supply: DC 12~36V



Model	IDD5X215-D
Single Screen Size	21.5"
Resolution	1920x1080
Mounting	4460,6085 or 48 arm support
No Keyboard Size(mm)	532 x 657 x 122
Contrast Ratio	3000:1
Luminance(cd/m ²)	250
Single Screen Power(w)	20
Work Temperature(°C)	0~50
Storage Temperature(°C)	-20~60



IDD6XXXX | Industrial Arm-mounted Stainless Steel Monitor



- Screen size: 15.6", 21.5"
- Front panel/back cover: 304 stainless steel
- Front panel/Rear: IP65
- Touchscreen mode: Single point resistive touchscreen, Multi-touch capacitive screen, Non-touch screen
- OS: Win7, Win8, Win10, Win11, Linux, etc
- Direct connection includes DVI video interface, USB and other interfaces
- Power supply: DC 24V
- Stainless steel with rounded flat panel design, it's better for food, packaging and pharmaceutical applications

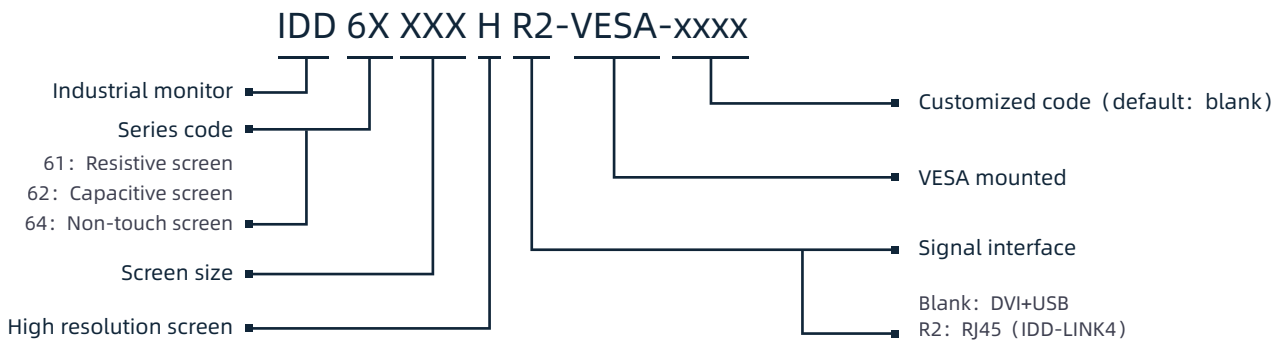


Model:IDD6XXXX
L:21.5", R:15.6"

Model	IDD6X156	IDD6X156H	IDD6X215
Screen Size	15.6"	15.6"	21.5"
Proportion	16:9	16:9	16:9
Resolution	1366x768	1920X1080	1920X1080
Mounting	Custom VESA	Custom VESA	Custom VESA
Size(WxHxD/mm) (without control panel)	413.2 x 276.2 x 53		547 x 532.8 x 53
Contrast Ratio	3000:1	3000:1	3000:1
Luminance(cd/m ²)	300	250	250
Power(w)	28		20
Work Temperature(°C)	0~60		0~60
Storage Temperature(°C)	-20~60		-20~60



IDD6XXX | Industrial Arm-mounted Stainless Steel Monitor (With KVM Extender/IDD-LINK4)



- Screen size: 15.6", 21.5"
- Front panel/back cover: 304 stainless steel
- Front panel/Rear: IP65
- Touchscreen mode: Single point resistive touchscreen, Multi-touch capacitive screen, Non-touch screen
- OS: Win7, Win8, Win10, Win11, Linux, etc
- Video and touch signals can use the IDD-LINK4 interface
- Power supply: DC 24V
- Stainless steel with rounded flat panel design, it's better for food, packaging and pharmaceutical applications



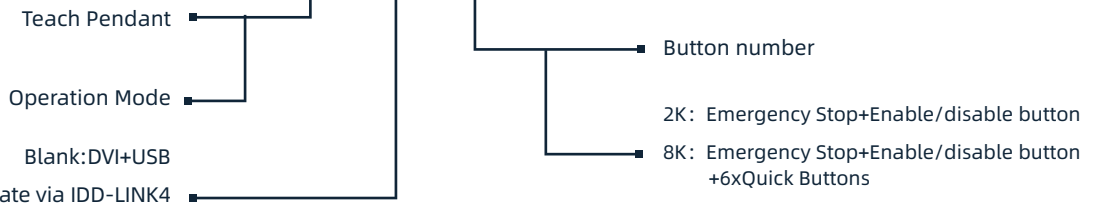
Model:IDD6XXXX
L:21.5", R:15.6"

Model	IDD6X156-R2	IDD6X156H-R2	IDD6X215-R2
Screen Size	15.6"	15.6"	21.5"
Proportion	16:9	16:9	16:9
Resolution	1366x768	1920X1080	1920X1080
Mounting	Custom VESA	Custom VESA	Custom VESA
Size(WxHxD/mm) (Exclusive of control panel)	413.2 x 276.2 x 53		547 x 532.8 x 53
Contrast Ratio	3000:1	3000:1	3000:1
Luminance(cd/m ²)	300	250	250
Power(w)	28	18	30
Work Temperature(°C)	0~60	0~50	0~50
Storage Temperature(°C)	-20~60		-20~60



TP2 | Teach Pendant

TP2 - R2 - XK



- 10.1", 12.2" display for handling robots,1280x800 HD resolution
- Front panel/Rear: IP65 / IP20
- Touchscreen mode: Single point resistive touchscreen, Multi-touch capacitive screen
- Ergonomic design, comfortable and easy to operate
- The button in the lower right corner of the GUI for quick access to custom functions
- Moderate display size,shoulder straps and grips are designed to simplify operation and prevent fatigue
- System frame grounding protection (GPE) design
- OS:Win7, Win8, Win10, Win11, Linux, etc
- Power supply: DC 24V



TP2

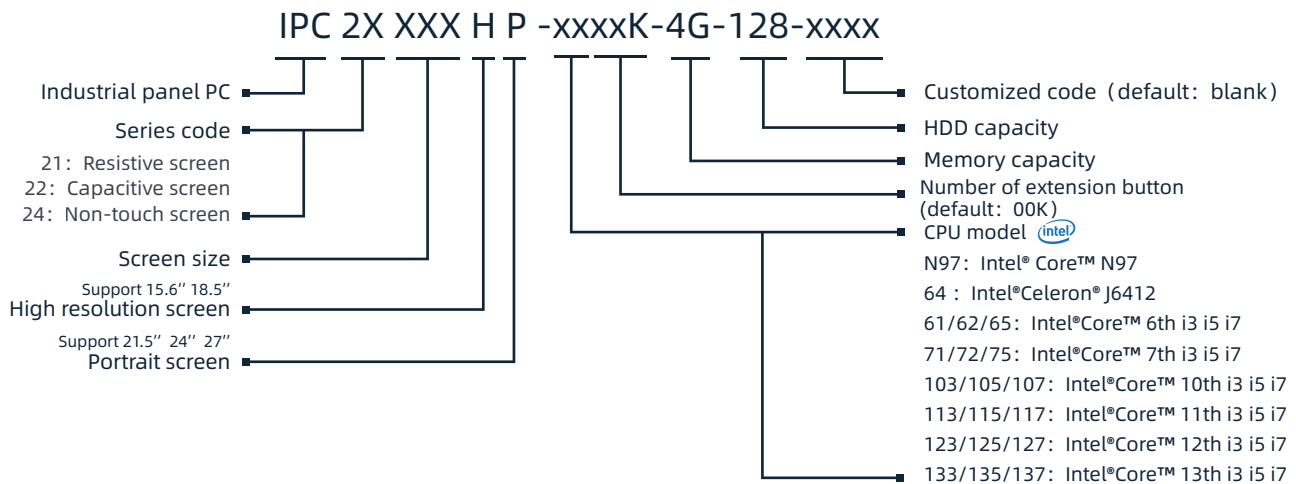


TP2-R2

Model	TP2	TP2-R2
Screen Size	10.1"	10.1"
Size(WxHxD/mm)	279 x 228.6 x 80.6	279 x 228.6 x 80.6
Resolution	1280x800	1280x800
Housing	Front panel: Al-Mg alloy Rear cover: ABS+PC	Front panel: Al-Mg alloy Rear cover: ABS+PC
Touch Type	Single point resistive touchscreen, Multi-touch capacitive screen	
Multi-touch	10 points	
Contrast Ratio	800:1	800:1
Luminance(cd/m ²)	400	400
Interface	Emergency 2NC / DC 24V IN / enable switch 2NO DVI-D+USB IN signal / 6 button signal+LED	Emergency 2NC / DC 24V IN / enable switch 2NO IDD-LINK4 signal / 6 button signal+LED
Input Voltage	DC 24V	DC 24V
Power(w)	5	15
Work Temperature(°C)	-20~70	
Storage Temperature(°C)	-30~70	



IPC2XXXX | Industrial Panel PC



- Screen size: 10.1", 10.4", 11.6", 12.1", 12.2", 15", 15.6", 17", 17.3", 18.5", 19", 21.5", 24", 27"
- Front panel/back cover: Aluminium-magnesium alloy
- Large aluminium fins design to ensure heat dissipation
- Front panel/Rear: IP65 / IP20
- Touchscreen mode: Single point resistive touchscreen, Multi-touch capacitive screen, Non-touch screen
- OS: Win7, Win8, Win10, Win11, Linux, etc(Intel® Celeron® J6412, Intel®Core™ 10th or above don't support Win7)
- According to the different processor motherboards, equipped with rich interfaces
- Intel® Celeron® J6412, Intel® Core™ 6th/7th/10th/11th/12th/13th i3/i5/i7 series processors to optional
- Power supply: DC 12~36V
- Extendable WIFI/4G
- Customized LOGO



Intel® Core™ 6/7th series Embedded Industrial Monitor



Intel® Celeron® J6412 Embedded Industrial Monitor



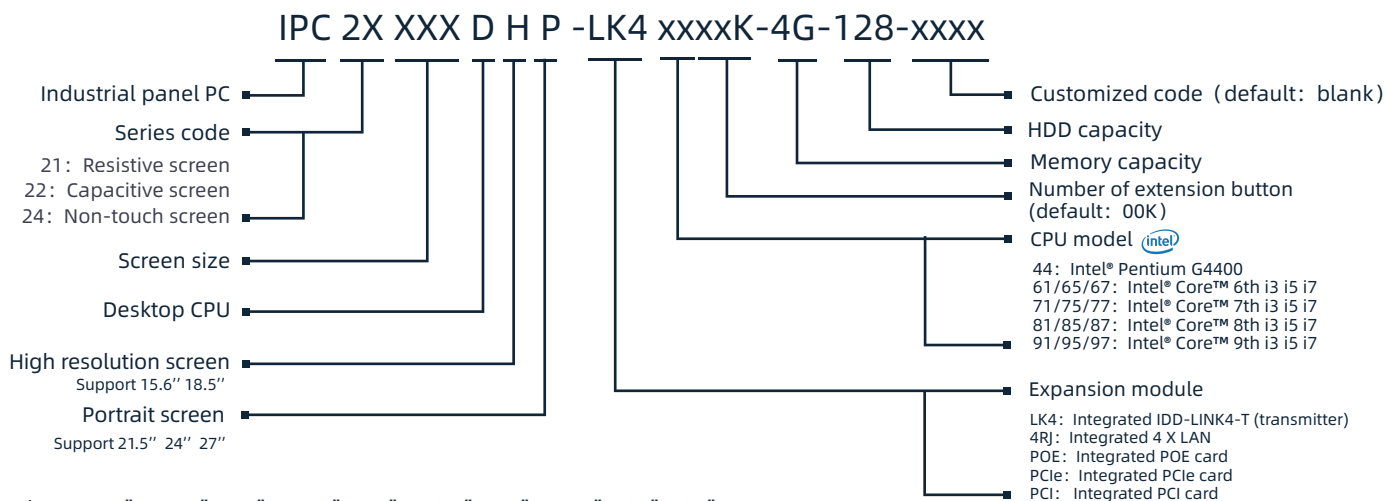
Intel® Core™ 10/11/12/13th series Embedded Industrial Monitor (3 network ports)

Embedded Industrial Monitor Interface

Model	IPC2X101	IPC2X104	IPC2X116	IPC2X121	IPC2X122	IPC2X150	IPC2X156
Screen Size	10.1"	10.4"	11.6"	12.1"	12.2"	15"	15.6"
Resolution	1280x800	1024x768	1920 x 1080	1024x768	1280x800	1024x768	1366x768
Open Size (WxH/mm)	248.5 x 185	253 x 217	299 x 203	295 x 248	297.5 x 216	342 x 285	385x253
Size(WxHxD/mm)	256.5 x 193 x 60	264 x 227.5 x 63.5	310 x 214 x 55.5	306 x 259 x 63.5	308.3 x 226.8 x 63.5	353 x 296 x 63.5	396 x 263 x 68.5
Proportion	16:10	4:3	16:9	4:3	16:10	4:3	16:9
Contrast Ratio	800:1	900:1	1000:1	800:1	1000:1	800:1	500:1
Luminance(cd/m ²)	400	350	250	350	450	150	300
Power(w)	30	30	5	34	34	36	43
Work Temperature(°C)	-20~70	-20~70	0~50	-20~70	-20~70	-10~65	0~60
Storage Temperature(°C)	-30~80	-20~70	-20~60	-30~80	-30~80	-20~70	-20~60
Model	IPC2X170	IPC2X173	IPC2X185	IPC2X190	IPC2X215	IPC2X240	IPC2X270
Screen Size	17"	17.3"	18.5"	19"	21.5"	24"	27"
Resolution	1280x1024	1920 x 1080	1366x768	1280x1024	1920x1080	1920x1080	1920x1080
Open Size (WxH/mm)	376 x 329	431 x 285	452 x 292	412 x 358	519 x 311	567 x 334	380.5 x 641.5
Size(WxHxD/mm)	387 x 340 x 63.5	440 x 294 x 60	463 x 303 x 63.5	428 x 372 x 63.5	530.5 x 322.5 x 63.5	581.4 x 348.6 x 66	395.5 x 656.5 x 66
Proportion	5:4	16:9	16:9	5:4	16:9	16:9	16:9
Contrast Ratio	1000:1	600:1	1000:1	1000:1	3000:1	3000:1	3000:1
Luminance(cd/m ²)	250	400	500	250	250	250	250
Power(w)	37	14	41	39	45	48	61
Work Temperature(°C)	0~50	0~70	0~50	0~50	0~50	0~50	0~50
Storage Temperature(°C)	-20~60	-20~70	-20~60	-20~60	-20~60	-20~60	-20~60



IPC2XXXXD | D series Industrial Panel PC



- Screen size: 12.1", 12.2", 15", 15.6", 17", 18.5", 19", 21.5", 24", 27"
- Front panel/back cover: Aluminium-magnesium alloy
- Large aluminium fins design to ensure heat dissipation
- Front panel/Rear: IP65 / IP20
- Touchscreen mode: Single point resistive touchscreen, Multi-touch capacitive screen, Non-touch screen
- OS: Win7, Win8, Win10, Win11, Linux, etc(Intel® Celeron® J6412, Intel®Core™ 10th or above don't support Win7)
- According to the different processor motherboards, equipped with rich interfaces
- Intel® Core™ 6/7/8/9th i3/i5/i7、Intel® Pentium® series high-performance desktop processors to optional
- Power supply: DC 12~36V
- Extendable WIFI/4G
- Customized LOGO

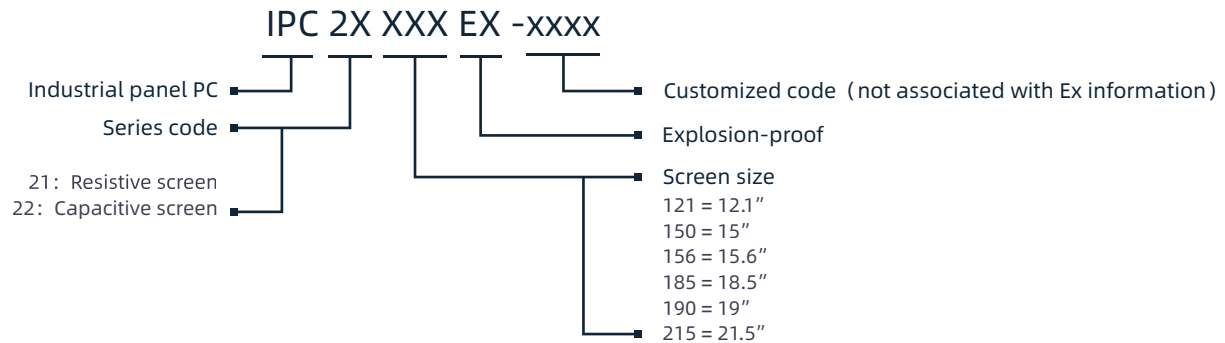


Model	IPC2X121D	IPC2X122D	IPC2X150D	IPC2X156D	IPC2X156HD	IPC2X170D
Screen Size	12.1"	12.2"	15"	15.6"	15"	17"
Resolution	1024x768	1280x800	1024x768	1366x768	1920x1080	1280x1024
Open Size (WxH/mm)	295 x 248	297.5 x 216	342 x 285	385x253	342 x 285	376 x 329
Size(WxHxD/mm)	305.8 x 258.8 x 79.2	308.3 x 226.8 x 79.2	352.8 x 295.8 x 79.2	396 x 263 x 84.2	396 x 263 x 84.2	386.8 x 339.8 x 79.2
Proportion	4:3	16:10	4:3	16:9	16:9	5:4
Contrast Ratio	800:1	1000:1	800:1	500:1	3000:1	1000:1
Luminance(cd/m ²)	350	450	420	300	250	250
Power(w)	125	125	125	125	125	130
Work Temperature(°C)	-20~70	-20~70	-10~65	0~60	0~50	0~50
Storage Temperature(°C)	-30~80	-30~80	-20~70	-20~60	-20~60	-20~60
Model	IPC2X185D	IPC2X185HD	IPC2X190D	IPC2X215D	IPC2X240D	IPC2X270D
Screen Size	18.5"	18.5"	19"	21.5"	24"	27"
Resolution	1366x768	1920x1080	1280x1024	1920x1080	1920x1080	1920x1080
Open Size (WxH/mm)	452 x 292	452 x 292	412 x 358	519 x 311	567 x 334	380.5 x 641.5
Size(WxHxD/mm)	462.8 x 302.8 x 79.2	462.8 x 302.8 x 79.2	427.8 x 371.8 x 79.2	530.4 x 322.4 x 79.7	581.4 x 348.6 x 81.7	656.5 x 395.5 x 81.7
Proportion	16:9	16:9	5:4	16:9	16:9	16:9
Contrast Ratio	1000:1	1000:1	1000:1	3000:1	3000:1	3000:1
Luminance(cd/m ²)	500	350	250	250	250	250
Power(w)	130	130	130	130	130	130
Work Temperature(°C)	0~50	-30~80	0~50	0~50	0~50	0~50
Storage Temperature(°C)	-20~60	-30~80	-20~60	-20~60	-20~60	-20~60



Our Explosion-Proof Products Have Passed ATEX EU Explosion-Proof Certification

IPC2XXXEX | Industrial ATEX HMI Panel PC



- Quality with ATEX certification
- Screen size: 12.1", 15", 15.6", 18.5", 19", 21.5"
- Front panel/back cover: Aluminium-magnesium alloy
- Front panel/Rear: IP65/IP20
- Touchscreen mode: Multi-touch Capacitive screen
- OS: Win7, Win8, Win10, Win11, Linux, etc
- Intel® Core™ 6th/7th i3/i5/i7 series processors to optional
- According to the different processor motherboards, equipped with rich interfaces
- Extendable WIFI/4G
- Power supply: DC 12~36V
- Customized LOGO

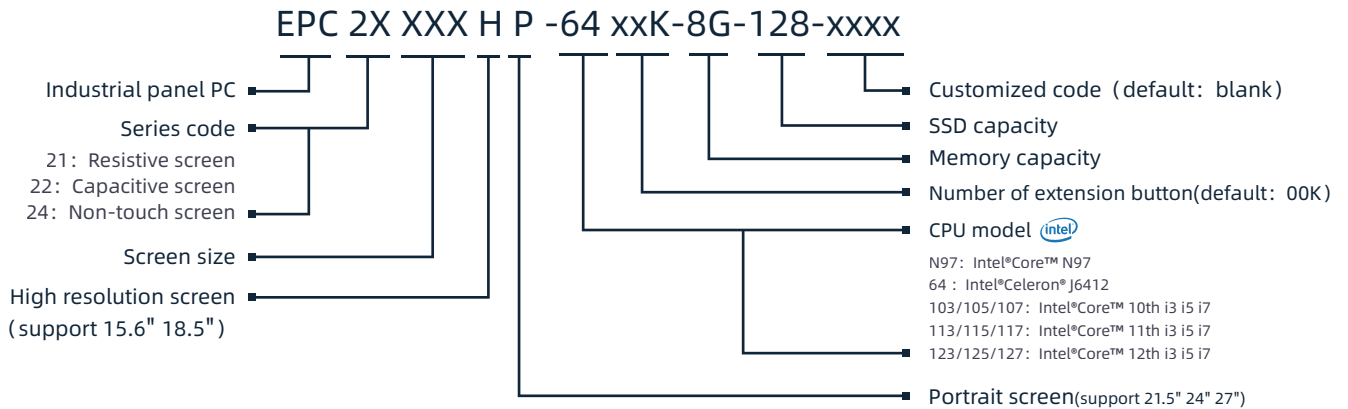


Our Explosion-Proof Products Have Passed ATEX EU Explosion-Proof Certification

Model	IPC2X121EX	IPC2X150EX	IPC2X156EX	IPC2X185EX	IPC2X190EX	IPC2X215EX
ScreenSize	12.1"	15"	15.6"	18.5"	19"	21.5"
Resolution	1024x768	1024x768	1366x768	1366x768	1280x1024	1920x1080
Open Size (WxH/mm)	315.7 x 248.8	360.6 x 285.7	403.6 x 262.3	465.8 x 290	429.6 x 354.7	531.1 x 327.7
Product Size (WxHxD/mm)	332.5 x 266.5 x 69	376.8 x 300.8 x 69	421.9 x 281.8 x 69	477.8 x 302 x 69	446.4 x 372.4 x 69	547.9 x 345.4 x 69
Proportion	4:3	4:3	16:9	16:9	5:4	16:9
ContrastRatio	800:1	800:1	500:1	1000:1	1000:1	500:1
Luminance(cd/m ²)	350	420	250	500	250	300
Power(w)	34	36	43	41	39	50
Work Temperature(°C)	0~55	0~55	0~55	0~55	0~55	0~55
Storage Temperature(°C)	-20~60	-20~60	-20~60	-20~60	-20~60	-20~60



EPC2XXXX | Industrial Panel PC(GPIO/WIFI/BT)



- Screen size: 10.1",10.4",11.6",12.1",12.2",15",15.6",17",17.3",18.5",19",21.5",24",27"
- Front panel/back cover: Aluminium-magnesium alloy
- Front panel/Rear: IP65 / IP20
- Touchscreen mode: Single point resistive touchscreen, Multi-touch capacitive screen, Non-touch screen
- OS: Win10, Win11, Linux
- Equipped with a multi-functional expansion board, integrating GPIO + 2 x COM + power switch
- Equipped with rich interfaces according the motherboard,3 x LAN (10th/11th/12th Intel® Core™) , 2x LAN (Intel®Celeron® J6412,Intel® Core™ N97) ,HDMI, 4 x USB
- DC 12~36V
- Extendable WIFI/4G/Bluetooth
- Customized LOGO



Upper Quick-Connect Area



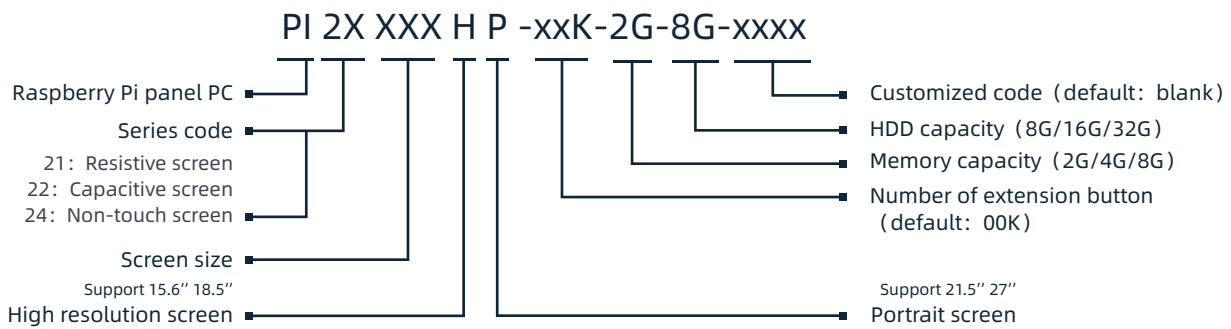
Lower Main Interface Bank

I/O: The process is Intel Celeron J6412 industrial panel PC(GPIO/WIFI/BT)

Model	EPC2X101	EPC2X104	EPC2X116	EPC2X121	EPC2X122	EPC2X150	EPC2X156	EPC2X156H
Screen Size	10.1"	10.4"	11.6"	12.1"	12.2"	15"	15.6"	15.6"
Resolution	1280x800	1024x768	1920 x 1080	1024x768	1280x800	1024x768	1366x768	1366x768
Open Size (WxH) mm	249 x 185	253 x 217	299 x 203	295 x 248	298 x 216	342 x 285	385x253	385x253
Size(WxHxD) mm	256.7 x 193 x 60	264 x 227.5 x 63.5	310 x 214 x 61.5	305.8 x 258.8 x 63.5	308.3 x 226.8 x 63.5	352.8 x 295.8 x 63.5	396 x 263 x 68.5	396 x 263 x 68.5
Proportion	16:10	4:3	16:9	4:3	16:10	4:3	16:9	16:9
Contrast Ratio	800:1	900:1	1000:1	800:1	1000:1	800:1	3000:1	3000:1
Luminance(cd/m ²)	400	350	250	350	450	420	300	250
Power(w)	35	35	35	35	35	35	40	40
Work Temperature(°C)	-20~70	-20~70	0~50	-20~70	-20~70	-10~65	0~60	0~50
Storage Temperature(°C)	-30~70	-30~80	-20~60	-30~80	-30~80	-20~70	-20~60	-20~60
Model	EPC2X170	EPC2X170	EPC2X170	EPC2X170	EPC2X170	EPC2X170	EPC2X170	EPC2X170
Screen Size	17"	17.3"	18.5"	18.5"	19"	21.5"	24"	27"
Resolution	1280x1024	1920x1080	1366x768	1366x768	1280x1024	1920x1080	1920x1080	1920x1080
Open Size (WxH) mm	376 x 329	431 x 285	452 x 292	452 x 292	412 x 358	519 x 311	567 x 334	381 x 642
Size(WxHxD) mm	386.8 x 339.8 x 63.5	440 x 294 x 66	462.8 x 302.8 x 63.5	462.8 x 302.8 x 63.5	427.8 x 371.8 x 63.5	530.5 x 322.4 x 63.5	581.4 x 348.6 x 66	395.5 x 656.5 x66
Proportion	5:4	16:9	16:9	16:9	5:4	16:9	16:9	16:9
Contrast Ratio	1000:1	600:1	1000:1	1000:1	1000:1	3000:1	3000:1	3000:1
Luminance(cd/m ²)	250	400	500	350	250	250	250	250
Power(w)	45	45	45	45	45	45	50	50
Work Temperature(°C)	0~50	0~70	0~50	-30~80	0~50	0~50	0~50	0~50
Storage Temperature(°C)	-20~60	-20~70	-20~60	-30~80	-20~60	-20~60	-20~60	-20~60



PI2XXXX | Raspberry Pi Panel PC



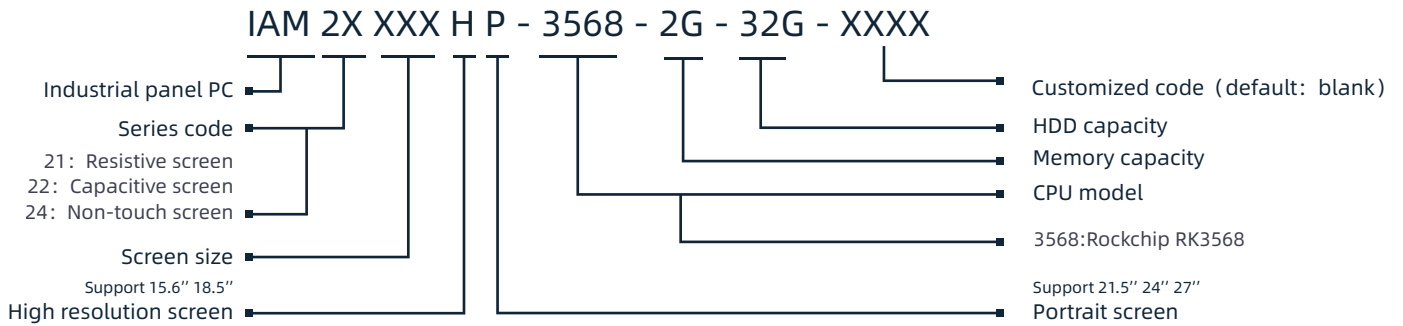
- Screen size: 10.1", 10.4", 12.1", 12.2", 15", 15.6", 17", 18.5", 19", 21.5"
- Front panel/back cover: Aluminium-magnesium alloy
- Front panel/Rear: IP65 / IP20
- Touchscreen mode: Single point resistive touchscreen, Multi-touch capacitive Screen, Non-touch screen
- Built-in UPS power supply
- RTC Real-time clock
- OS: LINUX
- Interface: Micro USB, HDMI, 2 x USB, 2 x CAN
- Power supply: DC 24V



Model	PI2X101	PI2X104	PI2X121	PI2X122	PI2X150	PI2X156
Screen Size	10.1"	10.4"	12.1"	12.2"	15"	15.6"
Resolution	1280x800	1024x768	1024x768	1280x800	1024x768	1366x768
Open Size (WxH/mm)	248.5 x 185	253 x 217	295 x 248	297.5 x 216	342 x 285	385x253
Size(WxHxD/mm)	256.5 x 193 x 54	264 x 227.5 x 63.5	306 x 259 x 57.5	308.3 x 226.8 x 57.5	353 x 296 x 57.5	396 x 263 x 62.5
Proportion	16:10	4:3	4:3	16:10	4:3	16:9
Contrast Ratio	800:1	900:1	800:1	1000:1	800:1	500:1
Luminance(cd/m ²)	400	350	350	450	400	300
Power(w)	15	15	19	19	21	28
Work Temperature(°C)	-20~70	-20~70	-20~70	-20~70	-10~65	0~60
Storage Temperature(°C)	-30~80	-20~70	-30~80	-30~80	-20~70	-20~60
Model	PI2X170	PI2X185	PI2X185H	PI2X190	PI2X215	-
Screen Size	17"	18.5"	18.5"	19"	21.5"	-
Resolution	1280x1024	1366x768	1920x1080	1280x1024	1920x1080	-
Open Size (WxH/mm)	376 x 329	452 x 292	452 x 292	412 x 358	519 x 311	-
Size(WxHxD/mm)	387 x 340 x 57.5	463 x 303 x 57.5	463 x 303 x 57.5	423 x 372 x 57.5	530.5 x 322.5 x 58	-
Proportion	5:4	16:9	16:9	5:4	16:9	-
Contrast Ratio	1000:1	1000:1	1000:1	1000:1	3000:1	-
Luminance(cd/m ²)	250	250	250	250	250	-
Power(w)	22	26	25	24	30	-
Work Temperature(°C)	0~50	0~50	-30~80	0~50	0~50	-
Storage Temperature(°C)	-20~60	-20~60	-30~80	-20~60	-20~60	-



IAM2XXXX | Industrial Panel PC



- Screen size: 10.1", 10.4", 11.6", 12.1", 12.2", 15", 15.6", 17", 17.3", 18.5", 19", 21.5", 24", 27"
- Front panel/back cover: Aluminium-magnesium alloy
- Front panel/Rear: IP65 / IP20
- Touchscreen mode: Single point resistive touchscreen, Multi-touch capacitive Screen, Non-touch screen
- Rockchip RK3568 low power processor
- OS: Android 11, ubuntu20.04, etc
- Integrated WIFI antenna, stable signal reception
- Built-in miniPCIe slot
- Power supply: DC 12~36V
- Extendable WIFI, 4G, 5G

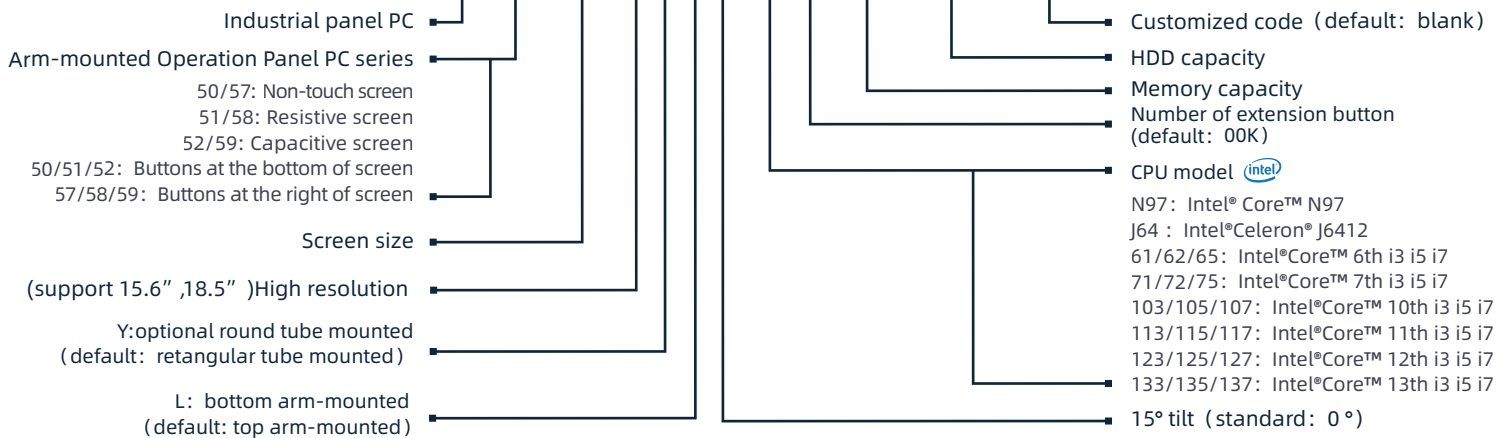


Model	IAM2X101	IAM2X104	IAM2X116	IAM2X121	IAM2X122	IAM2X150	IAM2X156
Screen Size	10.1"	10.4"	11.6"	12.1"	12.2"	15"	15.6"
Resolution	1280x800	1024x768	1920x1080	1024x768	1280x800	1024x768	1366x768
Open Size (WxH/mm)	248.5 x 185	253 x 217	299x203	295 x 248	297.5 x 216	342 x 285	385x253
Size(WxHxD/mm)	256.7 x 193 x 54	264 x 227.5 x 57.5	310x214x55.5	306 x 259 x 57.5	308.3 x 226.8 x 57.5	353 x 296 x 57.5	396 x 263 x 62.5
Proportion	16:10	4:3	16:9	4:3	16:10	4:3	16:9
Contrast Ratio	800:1	900:1	1000:1	800:1	1000:1	800:1	500:1
Luminance(cd/m ²)	400	350	250	350	450	400	300
Power(w)	30	30	30	34	34	36	43
Work Temperature(°C)	-20~70	-20~70	0~50	-20~70	-20~70	-10~65	0~60
Storage Temperature(°C)	-30~70	-20~80	-20~60	-30~80	-30~80	-20~70	-20~60
Model	IAM2X170	IAM2X173	IAM2X185	IAM2X190	IAM2X215	IAM2X240	IAM2X270
Screen Size	17"	17.3"	18.5"	19"	21.5"	24"	27"
Resolution	1280x1024	1920x1080	1366x768	1280x1024	1920x1080	1920x1080	1920x1080
Open Size (WxH/mm)	376 x 329	431x285	452 x 292	412 x 358	519 x 311	567x334	642x381
Size(WxHxD/mm)	387 x 340 x 57.5	440x294x60	462.8x302.8x57.5	427.8x371.8x57.5	530.5 x 322.5 x 58	581.4x348.6x60	656.5x395.5x60
Proportion	5:4	16:9	16:9	5:4	16:9	16:9	16:9
Contrast Ratio	1000:1	600:1	1000:1	1000:1	3000:1	3000:1	3000:1
Luminance(cd/m ²)	250	400	500	250	250	250	250
Power(w)	37	39	41	39	45	48	61
Work Temperature(°C)	0~50	0~70	0~50	0~50	0~50	0~50	0~50
Storage Temperature(°C)	-20~60	-20~70	-20~60	-20~60	-20~60	-20~60	-20~60



IPC5XXXX | Industrial Arm-Mounted Operation Panel PC

IPC 5X XXX H Y L X-xxxK-8G-128G-xxxx



- Screen size: 15", 15.6", 18.5", 19", 21.5", 24", 27"
- Front panel/back cover: Aluminium-magnesium alloy
- Front panel/Rear: IP65 completely
- Touchscreen mode: Single point resistive touchscreen,Multi-point capacitive touchscreen,Non-touch screen
- OS: Win7, Win8, Win10, Win11, Linux, etc (Intel® Celeron® J6412, Intel®Core™ 10th or above don't support Win7)
- Intel® Celeron® J6412, Intel® Core™ 6th/7th/10th/11th/12th/13th i3/i5/i7 series processors to optional
- According to the different processor motherboards, equipped with rich interfaces
- Power supply: DC 12~36V
- Extendable WIFI/4G

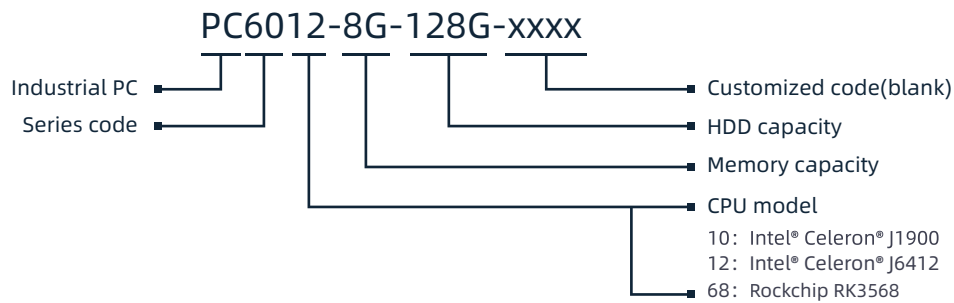


Model	IPC5X150	IPC5X156	IPC5X185	IPC5X190	IPC5X215	IPC5X240	IPC5X270
Screen Size	15"	15.6"	18.5"	19"	21.5"	24"	27"
Resolution	1024×768	1366x768	1366x768	1280x1024	1920x1080	1920x1080	1080 x 1920
Mounting	4460,6085 or 48 arm support	4460,6085 or 48 arm support	4460,6085 or 48 arm support	4460,6085 or 48 arm support	4460,6085 or 48 arm support	4460,6085 or 48 arm support	4460,6085 or 48 arm support
No Keyboard Size (mm)	433.7 x 284.6 x 122.5	405.6 x 330.7 x 122.5	465.4 x 355.3 x 122.5	512.7 x 351.6 x 122.5	533.1 x 416.7 x 122.5	574.4 x 427.5 x 130	388.5 x 735.4 x 130
Contrast Ratio	800:1	800:1	1000:1	1000:1	3000:1	3000:1	3000:1
Luminance(cd/m ²)	350	300	500	250	250	250	250
Power(w)	36	43	41	39	45	45	45
Work Temperature (°C)	-10~65	0~60	0~50	0~50	0~50	0~50	0~50
Storage Temperature (°C)	-20~70	-20~60	-20~60	-20~60	-20~60	-20~60	-20~60



Intel® Celeron® miniBCX Fanless Industrial Computer Product Display

PC60XX | miniBOX Fanless Box PC



- Compact aluminium-magnesium alloy profile housing, Large aluminium fins design to ensure the reliability and heat dissipation
- Din rail mounting
- 3 x USB
- 1 x RS485 + 1 x RS232
- Processor: Intel® Celeron® J6412、Intel® Celeron® J1900 、Rockchip RK3568
- OS: Win7, Win8, Win10, Win11, Linux, Android 11, ubuntu20.04, etc (Intel® Celeron® J6412 don't support Win7)
- Extendable WIFI/4G
- Fanless, operating temperature -20~70°C
- DC 12~36V

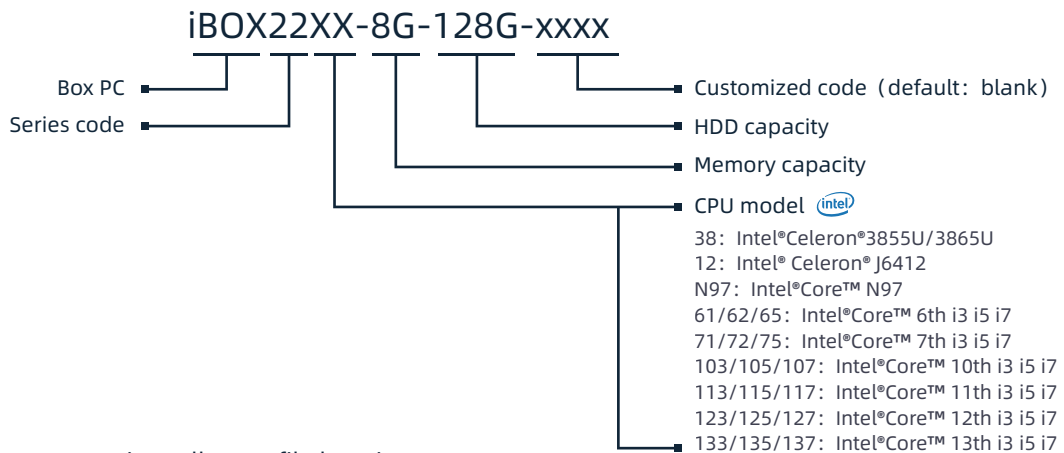


Rockchip RK3568 miniBOX Fanless industrial computer product display

Model	PC6010	PC6012	PC6068
CPU	Intel® Celeron® J1900	Intel® Celeron® J1900	Rockchip RK3568
Frequency	Quad Core 2.42GHz	Quad Core 2.42GHz	Quad Core 2GHz
Memory	1 x SO-DIMM DDR3L 1333 Max 8G	1 x SO-DIMM DDR4 3200MT Max 32G	eMMC 16/32/64GB
Network (LAN)	3 x RJ45		2 x RJ45
USB	1 x USB3.0 + 2 x USB2.0		2 x USB3.0 + 2 x USB2.0
Pilot Lamp	1 x Power light, 1 x HDD light, 1 x Status light		
Operating Temperature	-20~70°C		
Input Voltage	DC 12~36V, 4 pin-terminal		
Dimension (WxHxD)	140mm x 40.6mm x 104mm (5.51" x 1.60" x 4.09")		
Power	25W		



iBOX22XX | Fanless Box PC



- Compact aluminium-magnesium alloy profile housing, large area aluminium fin design to ensure a good cooling system
- Unilateral interface, Flat mounting or Wall-mounting
- 2 x Intel i210 Gbe LAN support EtherCAT and jumbo frames, 3 x LAN(Intel®Core™ 10th or above)
- 4 x USB3.0
- 2 x COM (DB9) , Support BIOS options RS232 or 485
- Intel® Celeron® 3855U, Intel® Celeron® 6412、Intel® Core™ 6/7/10/11/12/13th i3/i5/i7 series to optional
- OS: Win7, Win8, Win10, Win11, Linux, etc(Intel® Celeron® J6412, Intel®Core™ 10th or above don't support Win7)
- Extendable WIFI, 4G, 5G
- Fanless. operating temperature ranges from -20 to 70 ° C
- Power supply: DC 12~36V



Intel® Core™ 10/11/12/13 Series Fanless Box PC (3 network ports)



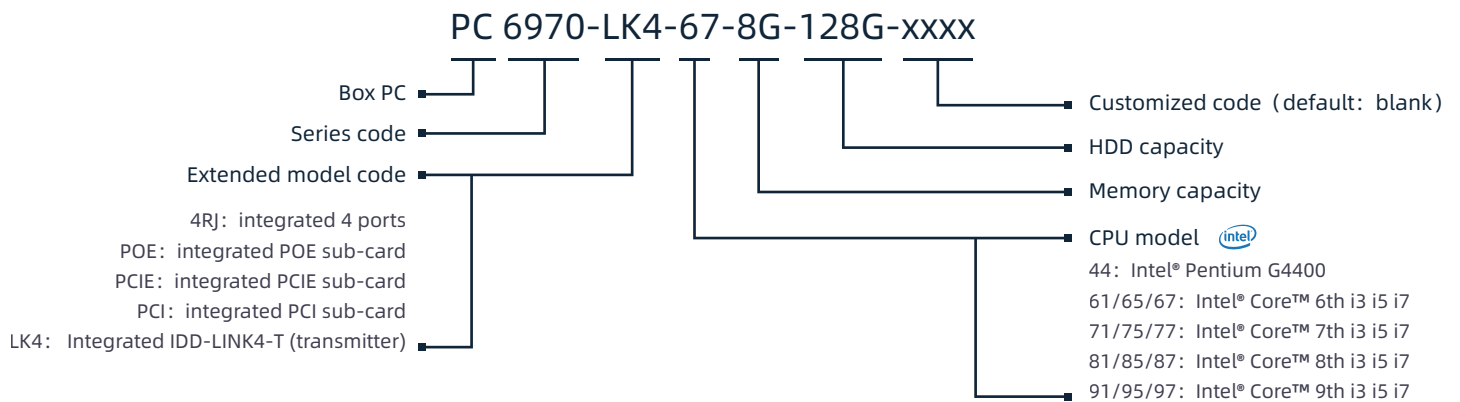
Intel® Celeron® 3855U、Intel® Celeron® 6412、Intel® Core™ 6/7th Series Fanless Box PC

iBOX22XX Series Interface

Model	I BOX22XX
CPU	Intel® Celeron® 3855U, Intel® Celeron® J6412 Intel®Core™ N97/6/7/10/11/12/13 i3 i5 i7
Memory(Max)	DDR4-2133, Max:32GB
LAN	2 x Intel i210-AT 1000Mbps RJ45 Ethernet port with surge protection, 3xLAN(Intel®Core™ 10th or above)
COM	2xRS232/RS422/RS485,The interface is isolated from TVS (DB9), and the RS485 supports automatic flow control
USB	4xUSB3.0
Audio	Realtek ALC662VD Audio controller with 5.1 channel support
HDMI	Max resolution supported is 4096*2160@24Hz
Control Button	1xPower switch, 1xCLR/CMOS, 1xAT/ATX switch
Input Voltage	DC 12~36V 3 pin connection terminal
Operation Temperature	-20~70°C
Power(W)	25 (Intel®Core™ total power doesn't exceed 80W, depending on the CPU)



PC6970 | Wall-mounted Box PC



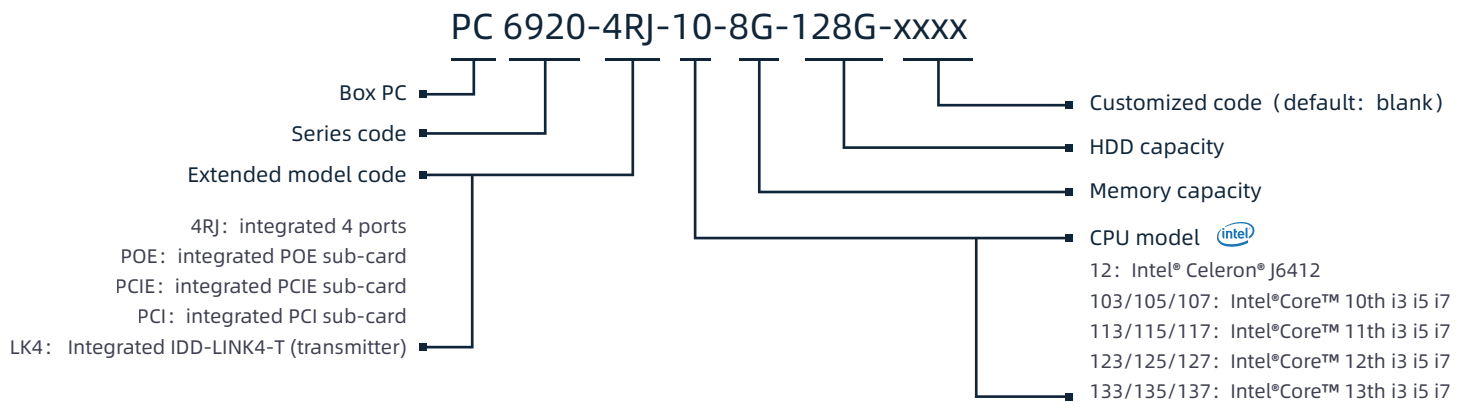
- Compacted aluminium-magnesium alloy profile housing, sealed & dust-proof design
- The optional processors for high-performance desktop include Intel® Core™ 6/7/8/9 generation i3/i5/i7 and Intel® Pentium®
- Unilateral interface, DIN rail wall-mounted
- Intel i210 Gbe LAN supports EtherCAT and jumbo frames
- DVI+DP dual interface, BIOS serial port settable RS232 or RS485
- Real-time optimization, more suitable for motion control
- Built-in USB2.0, pluggable software dongle to prevent data loss
- Expansion slot: 1 X PCIe X 16 + 1 X PCIe X 8 or 1 X PCIe X 16 + 1 X PCIe
- OS: Win7, Win8, Win10, Win11, Linux, etc(Intel®Core™ 8th 9th don't support Win7)
- Power supply: DC 12~36V



Model	PC6970	PC6970-LK4	PC6970-4RJ	PC6970-POE	PC6970-PCI	PC6970-PCle
CPU	Intel® Core™ 6/7/8/9th Intel® Pentium® G4400					
Memory(Max)	64G	64G	64G	64G	64G	64G
Storage	1×mSATA+1×M.2					
Network	2×Intel i210	2×Intel i210	4×Intel i210	2×Intel i210	2×Intel i210	2×Intel i210
Interface	2×RS232(or RS485)					
USB	4 x USB3.0 build-in 1 x USB2.0					
Expansion Solt	MiniPCIE	MiniPCIE	MiniPCIE	MiniPCIE	MiniPCIE	MiniPCIE
Input Voltage	DC 12~36V	DC 12~36V	DC 12~36V	DC 12~36V	DC 12~36V	DC 12~36V
RJ45	2	2	4	2	2	2
IDD-LINK4	×	1	×	×	×	×
POE	×	×	×	4	×	×
PCIEx16	×	×	×	×	1	1
PCIEx8	×	×	×	×	1	×
PCI	×	×	×	×	×	1
Protection	IP20	IP20	IP20	IP20	IP20	IP20
Size(mm)	204 x 152 x 57.5	204 x 152 x 57.5	204 x 152 x 70.8	204 x 152 x 70.8	204 x 152 x 156.8	204 x 152 x 156.8
Net Weight(kg)	2	2.15	2.15	2.15	2.5	2.5
Box Size(cm)	30 x 20 x 8	20 x 30 x 8	21 x 31 x 17	21 x 31 x 17	21 x 31 x 17	21 x 31 x 17
Power(W)	120	120	120	120	120	120



PC6920 | Fanless Wall-mounted Box PC



- Compact aluminum-magnesium alloy profile housing, closed dust-proof fanless design
- Intel® Core™ 10th/11th/12th/13th i3/i5/i7, Intel® Celeron® J6412 low power processor optional
- Unilateral interface, DIN rail wall-mounted
- Intel i210 Gbe LAN supports EtherCAT and jumbo frames
- DVI+DP dual interface, BIOS serial port settable RS232 or RS485
- Real-time optimization, more suitable for motion control
- Built-in USB2.0, pluggable software dongle to prevent data loss
- Expansion slot: 2 x PCIE or 1 x PCIE +1 x PCI
- OS: Win8, Win10, Win11, Linux, etc
- DC12~36V



Model	PC6920	PC6920-LK4	PC6920-4RJ	PC6920-POE	PC6920-PCI	PC6920-PCle
CPU	Intel® Celeron® J6412 Intel® Core™ 10/11/12/13th					
Memory(Max)	Max: 64G					
Storage	1×mSATA+1×SATA					
Network	2×Intel i210	4×Intel i210	4×Intel i210	2×Intel i210	2×Intel i210	2×Intel i210
Interface	2×RS232(or RS485)					
USB	4 x USB3.0 build-in 1 x USB2.0					
Expansion Solt	MiniPCIE	MiniPCIE	MiniPCIE	MiniPCIE	MiniPCIE	MiniPCIE
Input Voltage	DC 12~36V	DC 12~36V	DC 12~36V	DC 12~36V	DC 12~36V	DC 12~36V
RJ45	2	2	4	2	2	2
IDD-LINK4	×	1	×	×	×	×
POE	×	×	×	4	×	×
PCIEx4	×	×	×	×	1	2
PCI	×	×	×	×	1	×
Protection	IP20	IP20	IP20	IP20	IP20	IP20
Size(mm)	204 x 152 x 57.5	204 x 152 x 57.5	204 x 152 x 70.8	204 x 152 x 70.8	204 x 152 x 156.8	204 x 152 x 156.8
Net Weight(kg)	2	2.15	2.15	2.15	2.5	2.5
Box Size(cm)	30 x 20 x 8	30 x 20 x 8	30 x 20 x 8	20.5 x 31 x 17	20.5 x 31 x 17	20.5 x 31 x 17
Power(W)	45	45	45	45	45	45



Model:IDD-LINK4
L:Transmitter, R:Receiver

IDD-LINK4 | KVM Extender

In the field of automation, electromagnetic interference is ubiquitous, which will lead to the unstable operation of keyboard and mouse,HMI touch failure,as well as screen with snow stripe or intermittent black screen by electromagnetic interference when USB and DVI signal exceed 10 meters or even 5 meters.IDD-Link4 is composed of transmitting end transmitting box (IDD-LINK4-T) and receiving box (IDD-LINK4-R),The transmission distance of USB and DVI signals can be up to 100 meters without any delay.

- Compacted aluminium-magnesium alloy profile house,sealed & dust-proof design
- Unilateral interface with DIN rail wall-mounted
- DC 24V power supply, industrial standard design
- Compatible with Beckhoff CP-LINK4, Siemens IFP V2 and B&R SDL4
- Match with PC6970 / PC6920 / iBox Box PC
- Match with IDD series industrial touch monitors



PC6005 | Programmable Logic Controller

PX9400 is an industrial controller based on Raspberry Pi Compute Module 4+, providing CoDeSys based soft PLC system with extremely high cost performance, applicable in the automation industry, power electronics, smart home, etc. In addition to using standard PLC architecture, we also support the development of non-standard products such as SOEM, you can use framework such as DLIB, NODE-RED, DASH and so on to build your own applications.

- All aluminium housing, superior EMC shielding capability
- Unilateral interface with DIN rail wall-mounted
- Power supply: DC 24V power supply
- Work temperature: -20°C~60°C
- Built-in BMS system provides 30s shutdown time by default
- Support SoftMotion (CoDeSys 3.5.14.40)
- Support Visualization (Chromium WebVisu)
- Support for Trace、breakpoints、flow control Debug



UPS6910C-24 | Economical UPS Power Supply

The UPS6910C-24 is an online uninterruptible 24V DC power supply designed for industrial computers. This device ensures continuous operation during main power anomalies, allowing the connected industrial computer to remain functional for a specified period. During this interval, the system can be notified to save its current status and data to storage devices. The duration of uninterrupted power supply following a power failure can be configured and controlled via a USB connection between the UPS and the industrial computer. Utilizing a super-capacitor-based DC power module, the UPS effectively prevents data loss and ensures system stability

- Compacted aluminium-magnesium alloy profile housing, sealed & dust-proof design
- Unilateral interface with DIN rail wall-mounted
- DC 24V power supply, industrial standard design
- With USB control, set UPS parameters and extended shutdown time
- The maximum load is 80W
- The UPS can supply power for more than 12 minutes against 60W loading
- DC 12~24V



UPS6920C-24 | UPS Power Supply

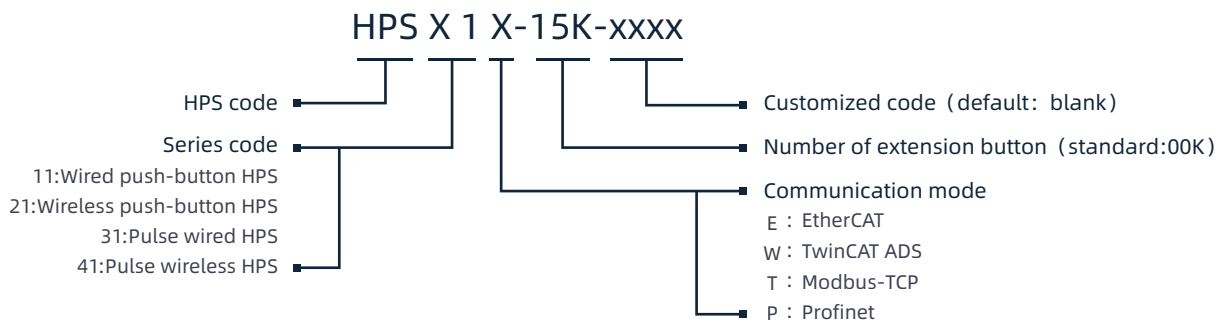
All Box PCs can be configured with 24V UPS power supply, Box PCs with the UPS6920C-24 can let the computer work for a period of time when the main power is turned off abnormally, Keep PC running for an extended period of time, it informs the Box PCs to save the current status and data into the hard disk and other memory. After power shuts down, the continuous power supply time of UPS to BOX PC can be set and controlled through the USB port of UPS connected to BOX PC.

- Compacted aluminium-magnesium alloy profile housing, sealed & dust-proof design
- Unilateral interface with DIN rail wall-mounted
- DC 24V power supply, industrial standard design
- With USB control, set UPS parameters and extended shutdown time
- The maximum load is 120W
- The UPS can supply power for more than 12 minutes against 60W loading
- DC 12~24V



Model:HPS-31E-3K

HPSX1X | Hand-held Pendant Station(HPS)



- Support multi-communication, including EtherCAT, Modbus-TCP, ADS and etc
- Protection level: IP50
- Standard products are suitable for laser cutting equipment and other metal process industry
- The wireless handheld pendant station can be rechargeable with lithium battery
- Wired HPS with DC 24V power supply
- Work temperature: -20~70°C
- Customized requested



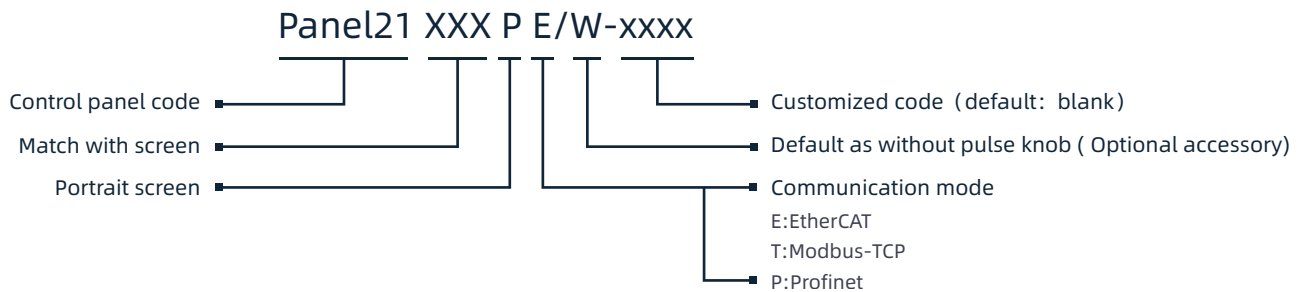
Model:HPS-21W-15K

Model	HPS-11E-15K	HPS-21W-15K	HPS-21W-24K	HPS31E-3K	HPS-41E-3K
Size(LxWxH/mm)	180 x 88 x 56	177 x 88 x 56	177 x 88 x 56	180 x 88 x 56	177 x 88 x 56
Mounted	Magnet+Holder	Magnet+Holder	Magnet+Holder	Holder	Magnet+Holder
Material	ABS	ABS	ABS	ABS	ABS
Magnification Switch	21 positions	21 positions	None	2pcs axis selector +Pilse	2pcs axis selector +Pilse
Membrane Switch	15 keys	15 keys	24 keys	3 keys	3 keys
Emergency Stop	Yes	None	None	Yes	None
Communication	EtherCAT bus	ADS protocol	ADS protocol	EtherCAT bus	EtherCAT bus
Connection	2.5m net cable	Wireless	Wireless	2.5m net cable	Wireless
Color	Grey	Grey	Grey	Grey	Grey
Operating Voltage	DC 24V	DC 3.7V	DC 3.7V	DC 24V	DC 3.7V
Power Supply	DC 24V	Rechargeable Li-ion battery	Rechargeable Li-ion battery	DC 24V	Rechargeable Li-ion battery
Operating Temperature(°C)	-20~60	-20~60	-20~60	-20~60	-20~60
Storage Temperature(°C)	-40~75	-40~75	-40~75	-40~75	-40~75
Relative Humidity	100%	100%	100%	100%	100%
Protection	IP50	IP50	IP50	IP50	IP50
Button Lifetime(10Ktimes)	100	100	100	100	100
Net Weight(kg)	0.65	0.65	0.65	0.65	0.65
Carton Size(cm)	30 x 20 x 8	30 x 20 x 8	30 x 20 x 8	30 x 20 x 8	30 x 20 x 8



Model:Panel21 190E

Panel21XXX | CNC Control Panel



- Panel:Aluminium-magnesium alloy,Rear:platemetal
- Front panel/Rear: IP65 / IP20
- Support EtherCAT and Modbus-TCP protocol
- Max. supported 98 keys & 98 LEDs,no need any I/O modules
- The panel can be equipped with time control function
- Customized by requested, including special bus requirements

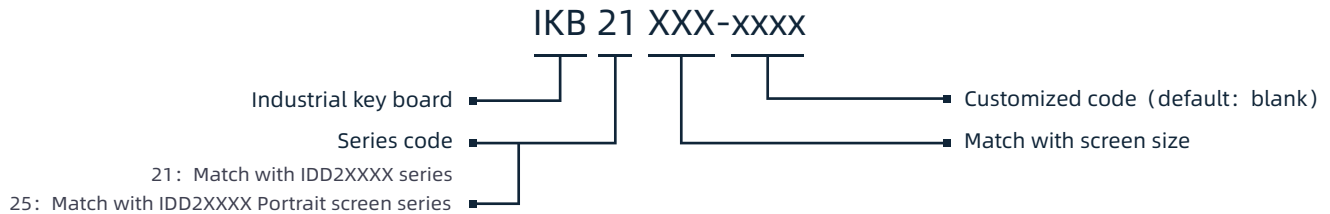


Model:Panel21190E-MP06

Model	Panel21156E/W	Panel2118E	Panel21190E/W	Panel21190E/W-MP06	Panel21190E-MP06
Size(mm)	395.8×166×95	483X155X47.2	427.4 x 173 x 66	410 x 175 x 66	410 x 175 x 66
Open size(mm)	385×156	450x135	412 x 145	380 x 145	380 x 145
Mounting	Embedded	Embedded	Embedded	Embedded	Embedded
Material	Al-Mg alloy	Al-Mg alloy	Al-Mg alloy	Al-Mg alloy	Al-Mg alloy
Magnification Switch	2	2	2	2	2
Key Number	38	40	63	63	63
Light Indicator	All keys	All keys	All keys	All keys	All keys
Pushbutton	Start,Stop,Reset	Start,Stop,Reset	Start,Stop,Reset	-	Rotary encoder switch
Emergency Stop	Yes(2NC)	Yes(2NC)	Yes(2NC)	Yes(2NC)	Yes(2NC)
Key Switch	None	1	1	1	1
Front USB	1	-	2	2	2
Bus Model	USB bus	USB bus	USB bus	USB bus	USB bus
	EtherCAT	EtherCAT	EtherCAT	EtherCAT	EtherCAT
	Modbus-TCP	Modbus-TCP	Modbus-TCP	Modbus-TCP	Modbus-TCP
Work Voltage	DC 24V	DC 24V	DC 24V	DC 24V	DC 24V
Work Temperature(°C)	-20~60	-20~60	-20~60	-20~+60	-20~+60
Storage Temperature(°C)	-40~75	-40~75	-40~75	-40~+75	-40~+75
Protection	Front P65	Front P65	Front P65	Front P65	Front P65
	Rear P20	Rear P20	Rear P20	Rear P20	Rear P20
Key Lifetime(10K times)	100	100	100	100	100



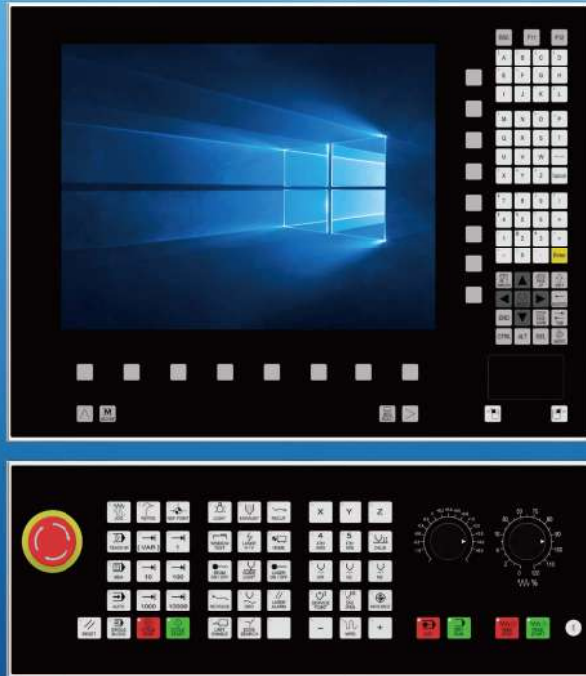
IKB21XXX | Industrial Keyboard



- Match with screen size: 15", 15.6", 17", 18.5", 19"
- Material: aluminium-magnesium alloy housing, keeping the same styles as the monitors and control panel
- Front panel/Rear: IP65 / IP20
- Imported sensitive touch key, the key lifetime is 1 million times
- OS: WinXP, Win7, Win10/Win11, etc
- With touchpad
- USB interface
- Self-locked key, easier to clean the keyboard
- Customized per requested, including special bus requirements

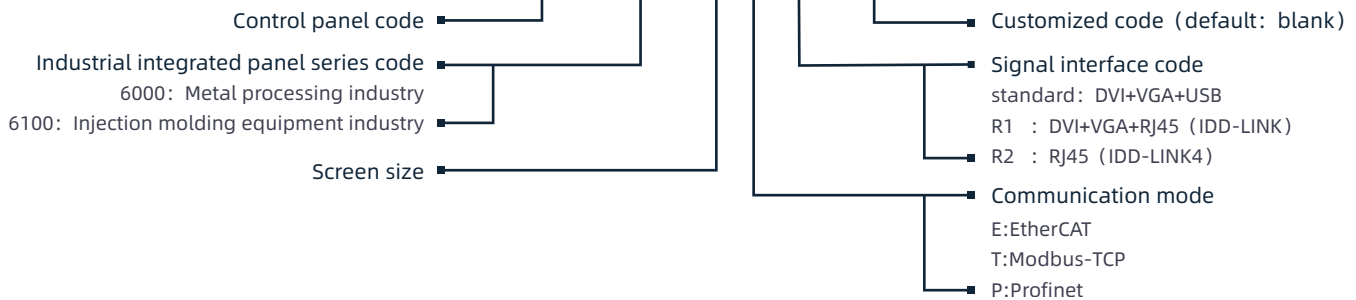


Model	IKB21150	IKB21156	IKB21170	IKB21185	IKB21190
Size(mm)	352.2 x 131 x 95	395.8 x 158 x 95	386.5 x 158 x 95	462.4 x 162 x 95	427.4 x 163.4 x 95
Open Size(mm)	342×121	385×148	376×148	452×152	412×148
Mounting	Embedded	Embedded	Embedded	Embedded	Embedded
Material	Aluminum-magnesium alloy	Aluminum-magnesium alloy	Aluminum-magnesium alloy	Aluminum-magnesium alloy	Aluminum-magnesium alloy
Key Number	86	86	86	106	86
Light Indicator	Clean,Caps	Clean,Caps	Clean,Caps	Clean,Num,Caps,Scroll	Clean,Caps
Touch Screen	Yes	Yes	Yes	Yes	Yes
Interface	USB	USB	USB	USB	USB
Work Voltage	DC 5V USB power supply	DC 5V USB power supply	DC 5V USB power supply	DC 5V USB power supply	DC 5V USB power supply
Work Temperature(°C)	0~55	0~55	0~55	0~55	0~55
Storage Temperature(°C)	-40~75	-40~75	-40~75	-40~75	-40~75
Protection	Front P65	Front P65	Front P65	Front P65	Front P65
	Rear P20	Rear P20	Rear P20	Rear P20	Rear P20
Key Lifetime(10K times)	100	100	100	100	100

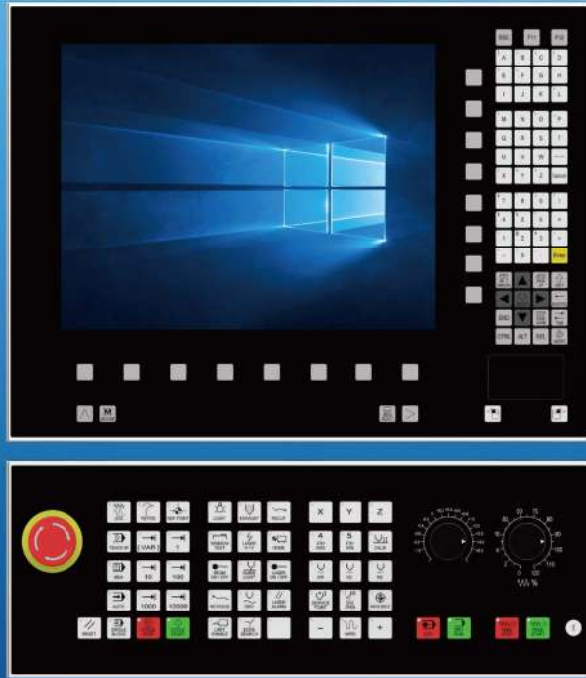


Panel6000 | Integrated Control Panel

Panel 6000-xx E-R1-xxxx



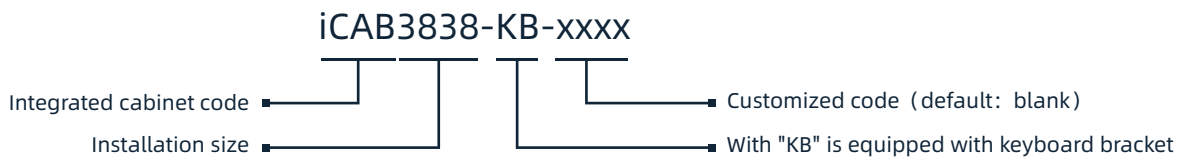
- Screen size: 15" , dedicated integrated control panel designed for different industries
- Optional Panel21XXX series key control panel, easy to operate complete solution
- Panel: Aluminium-magnesium alloy, Rear: platemetal
- Front panel/Rear: IP65 / IP20
- Resistive touchscreen
- OS: Win7, Win8, Win10, Win11, Linux, etc
- Interface: DVI, VGA, 2xUSB extended interface
- Power supply: DC 24V
- Optional R1(IDD-LINK),Long distance USB signal output, support 50m
- Optional R2(IDD-LINK4),video and USB are transmitted though a single CAT6 network cable, up to 100m
- Customized by requested,including special bus requirements



Model	Panel6000-15
Screen Size	15"
Resolution	1024×768
Touch function	Resistive touchscreen
Open size(LxW/mm)	452 x 337
Size(LxWxH/mm)	483 x 355 x 58.5
Mounting	Embedded
Material	Panel:Aluminium-magnesium alloy Rear:platemetal
Touch panel	Yes
Key Number	85pcs bus keys
Light Indicator	All keys
Front USB	1
Bus Model	USB bus
Work Voltage	DC 24V
Power(W)	20
Work Temperature(°C)	-10~65
Storage Temperature(°C)	-20~70



iCAB | Integrated Cabinet



- Engineering structure design
- Touchscreen monitor, keyboard and control panel can be integrated
- With or W/O keyboard option
- Mounted screen size up to 19 inch
- Customized LOGO

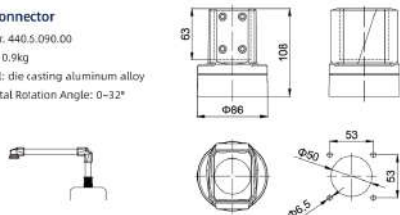
Model	iCAB3838	iCAB3838- KB	iCAB4646	iCAB4646- KB
Open size for monitor (mm/LxHxD)	380 x 380 x 90	380 x 380 x 90	460 x 460 x 120	460 x 460 x 120
Keyboard Bracket	None	Yes	None	Yes
Open size for keyboard (mm/LxHxD)	None	380 x 140 x 90	None	460 x 180 x 120
Arm components	4460 series	4460 series	5575 series	5575 series



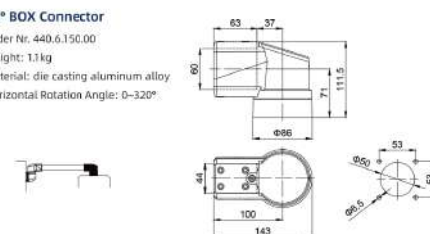
Arm components: 4460 series



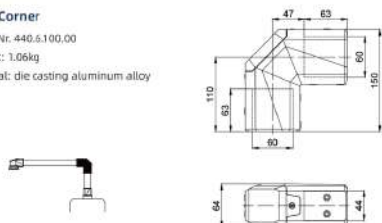
BOX Connector
 Order Nr. 440.5.090.00
 Weight: 0.9kg
 Material: die casting aluminum alloy
 Horizontal Rotation Angle: 0-32°



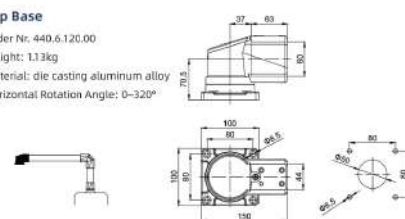
90° BOX Connector
 Order Nr. 440.6.150.00
 Weight: 1.1kg
 Material: die casting aluminum alloy
 Horizontal Rotation Angle: 0-320°



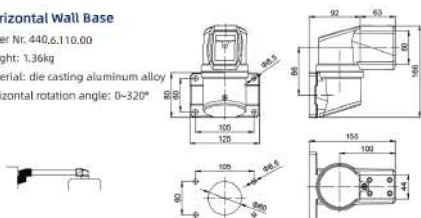
90° Corner
 Order Nr. 440.6.100.00
 Weight: 1.06kg
 Material: die casting aluminum alloy



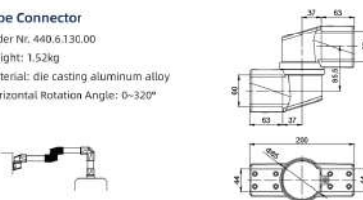
Top Base
 Order Nr. 440.6.120.00
 Weight: 1.13kg
 Material: die casting aluminum alloy
 Horizontal Rotation Angle: 0-320°



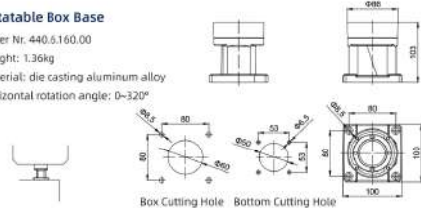
Horizontal Wall Base
 Order Nr. 440.6.110.00
 Weight: 1.36kg
 Material: die casting aluminum alloy
 Horizontal rotation angle: 0-320°



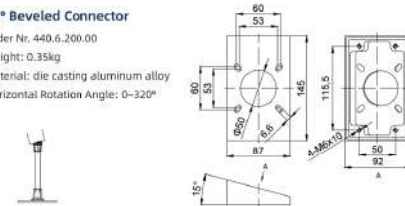
Pipe Connector
 Order Nr. 440.6.130.00
 Weight: 1.52kg
 Material: die casting aluminum alloy
 Horizontal Rotation Angle: 0-320°



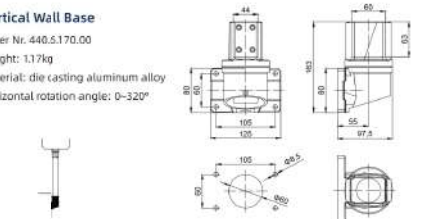
Rotatable Box Base
 Order Nr. 440.5.160.00
 Weight: 1.36kg
 Material: die casting aluminum alloy
 Horizontal rotation angle: 0-320°



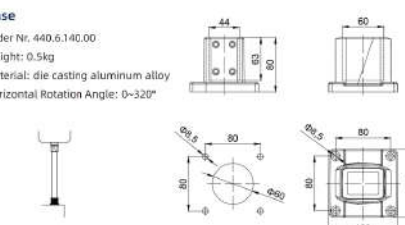
15° Beveled Connector
 Order Nr. 440.6.200.00
 Weight: 0.35kg
 Material: die casting aluminum alloy
 Horizontal Rotation Angle: 0-320°



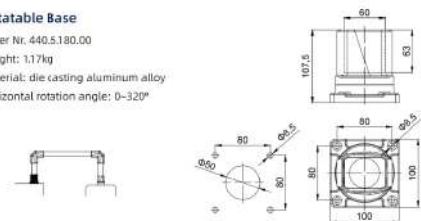
Vertical Wall Base
 Order Nr. 440.5.170.00
 Weight: 1.17kg
 Material: die casting aluminum alloy
 Horizontal rotation angle: 0-320°



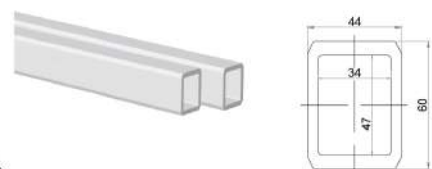
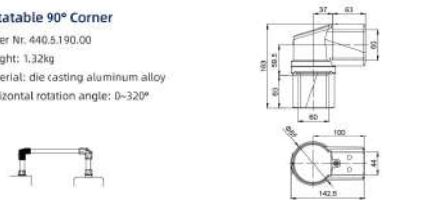
Base
 Order Nr. 440.5.140.00
 Weight: 0.5kg
 Material: die casting aluminum alloy
 Horizontal Rotation Angle: 0-320°



Rotatable Base
 Order Nr. 440.5.180.00
 Weight: 1.17kg
 Material: die casting aluminum alloy
 Horizontal rotation angle: 0-320°



Rotatable 90° Corner
 Order Nr. 440.5.190.00
 Weight: 1.32kg
 Material: die casting aluminum alloy
 Horizontal rotation angle: 0-320°



4460 aluminum tube specification

Length	Order Nr.
0.25m	440.6.025.70
0.5m	440.6.050.70
1m	440.6.100.70
1.5m	440.6.150.70
2m	440.6.200.70

Arm components: Stainless steel 48 series

4460 aluminum tube specification

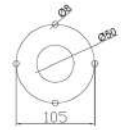
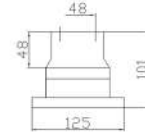
Length	Order Nr.
0.25m	48-025
0.5m	48-050
0.75m	48-075
1m	48-100
1.25m	48-125



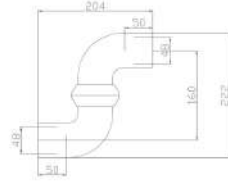
Connecting Pipe
Material: stainless steel



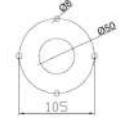
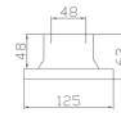
Base
Order Nr. 4880
Weight: 3.1 kg
Material: stainless steel
Rotatable angle: 0-320°



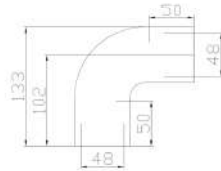
Pipe Connector
Order Nr. 4830
Weight: 3.1kg
Material: stainless steel
Rotatable angle: 0-320°



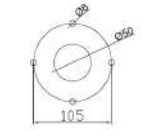
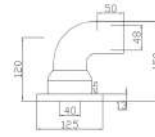
External Fixed Base
Order Nr. 4840
Weight: 2.1 kg
Material: stainless steel



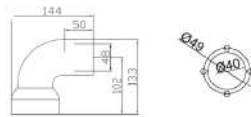
Corner
Order Nr. 4810
Weight: 1.6kg
Material: stainless steel



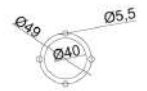
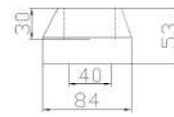
Pipe Connector
Order Nr. 4820
Weight: 3.5kg
Material: stainless steel
Rotatable angle: 0-320°



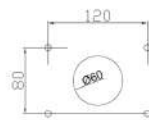
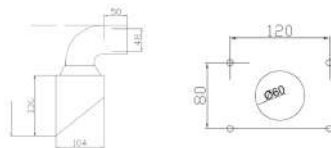
90° Box Connector
Order Nr. 4850
Weight: 2.3kg
Material: stainless steel
Rotatable angle: 0-320°



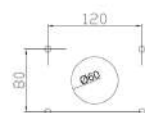
Corner
Order Nr. 4800
Weight: 1.1 kg
Material: stainless steel
Rotatable angle: 0-320°



Horizontal Wall Base
Order Nr. 4860
Weight: 3.2kg
Material: stainless steel
Rotatable angle: 0-320°



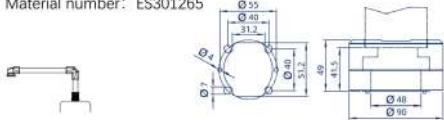
Vertical Wall Base
Order Nr. 4870
Weight: 3kg
Material: stainless steel
Rotatable angle: 0-320°



Box Connection, Dia. 90mm

Material and surface finish: cast aluminium--bright silver baking finish
Rotation angle: 320°

Material number: ES301265



90° Box Connection, Dia. 90mm

Material and surface finish: cast aluminium--bright silver baking finish
Rotation angle: 320°

Material number: ES301266



90° Corner Adapter, For Model 6085 And 48

Material and surface finish: cast aluminium--bright silver baking finish
Material number: ES301267



90° Top Base

Material and surface finish: cast aluminium--bright silver baking finish
Rotation angle: 320°

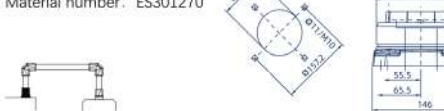
Material number: ES301269



Top Base

Material and surface finish: cast aluminium--bright silver baking finish
Rotation angle: 320°

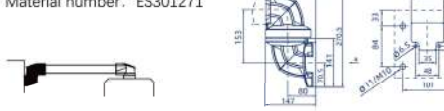
Material number: ES301270



Horizontal Wall Base, Model 60

Material and surface finish: cast aluminium--bright silver baking finish
Rotation angle: 320°

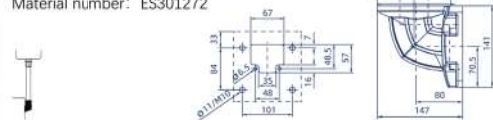
Material number: ES301271



Vertical Wall Base, model 60

Material and surface finish: cast aluminium--bright silver baking finish
Rotation angle: 320°

Material number: ES301272



Box Connection, Model 48

Material and surface finish: Aluminum alloy oxidation
Rotation angle: 320°

Material number: ES500512



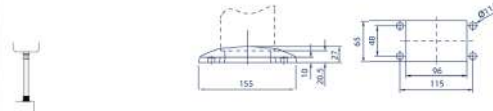
90° Corner Fastener

Material and surface finish:
cast aluminium--bright silver baking finish
Material number: ES301274



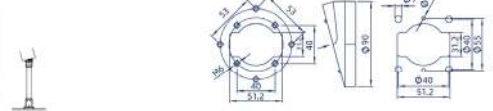
Fixed Wall Base, Model 60

Material and surface finish: cast aluminium--bright silver baking finish
Material number: ES203899



15° Tilted Adapter, Diameter 90mm

Material and surface finish: cast aluminium--bright silver baking finish
Material number: ES301273

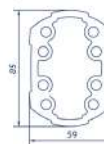


Supporting pipe Model 60

Material and surface finish: Anodized aluminum profile

Material number: ES203903

Order number: 6085.025 (250mm)
6085.050 (500mm)
6085.100 (1000mm)
6085.200 (2000mm)

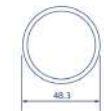


Supporting pipe Model 48

Material and surface finish: Stainless steel

Material number: XB48-100

Order number: XB48-025 (250mm)
XB48-050 (500mm)
XB48-100 (1000mm)





Shanghai Panelmate Electronics Co.,Ltd.

ADD: Buiding 18th,No.177 FuLian 2nd Road,BaoShan District,Shanghai (Zip code 201906)

TEL: 021-54851801 021-56590558

FAX: 021-66783683

E-mail: info@panelmate.cn

The catalog only shows part of the content, for more information
Please visit: www.panelmate.cn or follow “亿耀电子” WeChat public account